

THE WELDING MACHINE  
EXPERTS FOR PLASTIC PIPES

---

PASSIONATE

---

ABOUT INNOVATIONS

---

NEXT GENERATION  
WELDING



STANDARD? OF COURSE.  
SPECIALLY BUILT? YES!

## INNOVATIVE & CUSTOMIZED

**Innovative project solutions and customized machines – WIDOS is expert in developing welding machines for every task.**

WIDOS machines are used worldwide in the field, for fab-shop and on-site

installations, or fitting fabrications to weld plastic pipes from OD 20 – 3500. Our customers value the quality and easy operation of our machines as well as the adaptation to meet specific requirements.



Whether filtration, automotive or maritime industries – WIDOS customized machines meet unique requirements beyond the piping industry.



# FROM DITZINGEN TO ANYWHERE IN THE WORLD. WE REPRESENT **GLOBAL VALUES.**

Together with our worldwide partners, we strive for a common goal: excited customers. We value competent advice, innovative solutions, reliability, and sustainability.



## **COMPETENCE FROM THE BEGINNING**

As the pioneer in the plastic welding industry, we advise with more than 50 years of experience in plastic welding technology.



## **RELIABILITY**

Innovative and solidly built machines ensure reliable long-term use.



## **INNOVATIONS FOR THE FUTURE**

Advanced techniques coupled with modern technology means machines built for today and tomorrow.



## **SUSTAINABILITY**

WIDOS machines work efficiently over years. For more sustainability and protection of our resources.

# KNOW-HOW, EXPERIENCE AND EXPERTISE. THE **PIONEER OF THE INDUSTRY**

## **ABOUT US**

WIDOS Wilhelm Dommer Söhne GmbH is a leading manufacturer of plastic welding machines that is ISO 14001 certified with headquarters in Ditzingen, Germany. More than 100 employees in Ditzingen, Chemnitz, and Atlanta work together to promote welding technologies globally. Since the formation of the company in 1946, WIDOS has established its worldwide position in the plastic welding industry. With over 80 international partners, WIDOS machines are globally available.

## **WELDING MACHINE EXPERTS**

The WIDOS product portfolio includes welding machines, saws, and accessories as well as specialty machines. Welding machines are used to weld plastic pipes from OD 20 – 3500 in the field and in workshops. Specialty machines allow welding plastics in a vast variety of industries.

## **SERVICE WORLDWIDE**

We have been exceeding customer service expectations for over 50 years and excel in meeting international norms for service requirements, including the latest DVS standards. Our international customers benefit from more than 80 certified service partners worldwide. WIDOS supplies original spare parts for generations of machines.

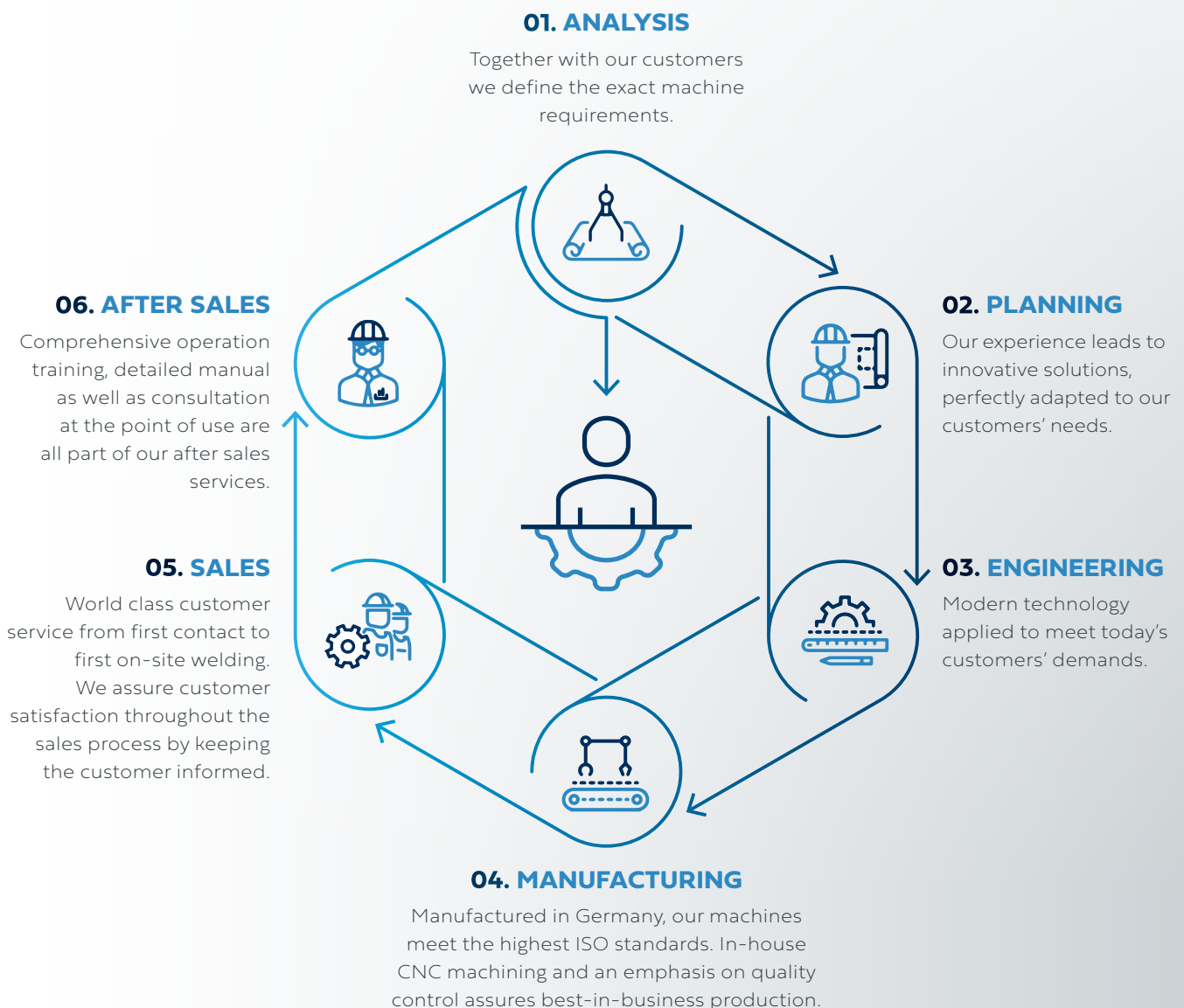


## **REPAIR & MAINTENANCE**

We perform extensive repairs and maintenance on all of our welding machines. During the time of service, customers may continue work with rental machines.

# WE DELIVER MORE THAN PRODUCTS. WE DELIVER **CUSTOMIZED INNOVATIONS.**

WIDOS provides customized solutions to weld plastics in a vast variety of industries: from piping and filtration to automotive and maritime industries. We support our customers with expertise and German engineering from the beginning.



# QUALITY IN EVERY PART. DIGITAL. MODULAR. STRONG. MADE IN GERMANY.

## DIGITAL CONNECTIVITY

WIDOS control units set the benchmark in digital operation, featuring Bluetooth connection, remote operation, and digital data reports.

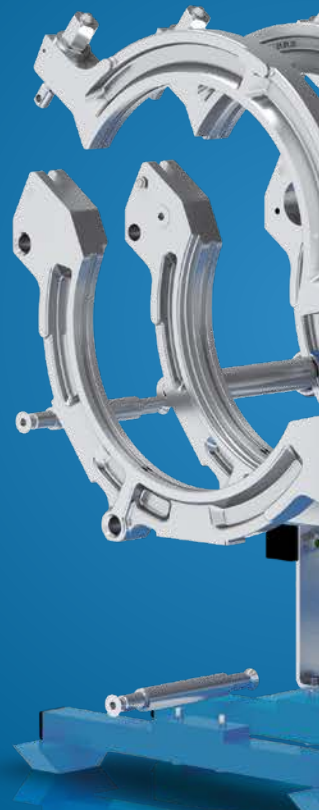
## INDIVIDUALIZED SOLUTIONS

Individualized welding machines for special requirements. In every dimension.



## EASY OPERATION

User-friendly operation assures successful welding. Every time.



## LIGHTWEIGHT DESIGN

Light-weight and compact parts support welding in the tightest places and in elevated conditions.



## MODULAR COMPONENTS

Machine components can be used to operate various basic machines.



## SERVICE WORLDWIDE

International partner network for excellent service across the world.

## SOLID MACHINES

WIDOS machines stand the test of time. Reliable and cost effective.











## WELDING MACHINES FOR THE **FIELD**

The solidly built WIDOS machines for the field are robust, reliable and durable. The modular machine concept allows for flexible use to fit many field situations.



### ESI 3000

Machine model .....	<b>pg. 12</b>
Machine components .....	<b>pg. 13</b>
Article numbers .....	<b>pg. 13</b>
Technical data .....	<b>pg. 13</b>
Options .....	<b>pg. 13</b>



### 4400 – 6100

Machine models .....	<b>pg. 14</b>
Machine components .....	<b>pg. 15</b>
Control technologies .....	<b>pg. 16</b>
Article numbers .....	<b>pg. 16</b>
Technical data .....	<b>pg. 19</b>
Reduction inserts .....	<b>pg. 20</b>
Options .....	<b>pg. 23</b>



### 8000 | 10000 | 12000

Machine models .....	<b>pg. 24</b>
Machine components .....	<b>pg. 25</b>
Control technologies .....	<b>pg. 26</b>
Article numbers .....	<b>pg. 27</b>
Technical data .....	<b>pg. 28</b>
Reduction inserts .....	<b>pg. 28</b>
Options .....	<b>pg. 29</b>



### 16000 – 35000

Machine models .....	<b>pg. 30</b>
----------------------	---------------

## FIELD MACHINES

# ESI 3000

## ELECTROFUSION MACHINE



### DESCRIPTION

The ESI 3000 is the electrofusion machine for electro sockets from OD 20 to 630\*. Comfortable handle, steel cover and light weight make the welding machine a robust companion on all building sites. The compact ESI 3000 features extensive logging, easy handling, and digital control.

### USE



DIAMETER **OD 20 – OD 630**

MATERIAL **Electro Sockets PE, PP**

## MACHINE MODEL

The handle allows for winding the 4m-long machine cable with 4.0 mm adapter plugs. Different adapter plugs are available. A built-in temperature sensor measures the temperature near the socket for safe and DVS-compliant welding. The cable remains flexible and the display is easy to read even at low temperatures. The robust steel cover protects against damage. The compact ESI 3000 weighs just 16 kg, the transport and storage box weighs 5 kg.

All welds are logged. Welding parameters can be entered manually or via hand scanner. Protocols are available in CSV or PDF format through the USB port. The ESI 3000 can also be controlled through the ElectroFusion Studio (EFS) app. Bluetooth connection allows for operating the ESI 3000 via smart phone or tablet. Welding parameters, notes, GPS coordinates and pictures can be stored and managed in the ElectroFusion Control Center (EFCC).

➤ Adapter plugs are optionally available

\* depending on the type of fitting

## MACHINE COMPONENTS



ELECTROFUSION MACHINE

Art.No.

**Electrofusion machine**  
incl. cable / scanner / scanner cover [HW3000](#)



WELDING CABLE WITH  
SCANNER AND SCANNER COVER

Art.No.

**Kabel / Scanner / Tasche** [HW320120004](#)

## TECHNICAL DATA

### ESI 3000

Power (60% ON time)	2050W (55,9A)
Voltage – entry	230V
Voltage – exit	8 – 48V AC
Operating temperature	-10 °C   +50 °C
Total weight	16 kg

## OPTIONS

### ADAPTER PLUGS



#### Adapter plugs

Art.No.

4,7 mm, bent [HW320300-004](#)

4,7 mm, straight [HW320300010](#)

4,0 mm, bent [HW320300011](#)

## FIELD MACHINES

4400 | 4600 | 4900 | 4955  
 5100 | 5500 | 6100  
 MANUAL | SPA | WI-CNC



## DESCRIPTION

WIDOS field machines are designed for pipeline construction and can be used in the field or for on-site installations. Four clamping rings ensure stable welding of long pipings. By detaching the fourth clamping ring, the machines are also suitable for welding jobs in narrow surroundings.

## USE



DIAMETER OD 50 – OD 630

MATERIAL PE, PP, PVDF, other thermoplastics

## MACHINE MODELS

The machine sets of the WIDOS 4400 – 6100 series consist of basic machine, hydraulic unit, planer, heating element, reception box and tool kit. Depending on the size of the machine, components can be used in different machine sets.

4400	4600	4900	4955
⊕ OD 50 – 160	⊕ OD 75 – 250	⊕ OD 90 – 315	⊕ OD 90 – 355
5100	5500	6100	
⊕ OD 200 – 450	⊕ OD 200 – 500	⊕ OD 315 – 630	

## MACHINE COMPONENTS



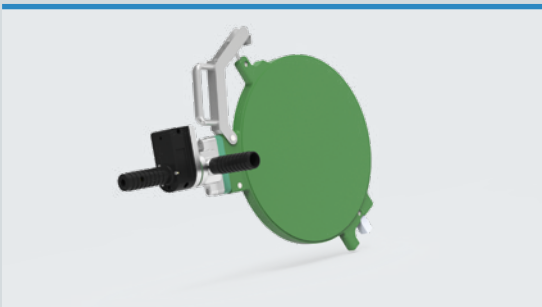
### BASIC MACHINE

The basic machine consists of base frame, four clamping rings and two hydraulic cylinders. A steel sheet protects the welding spot from dust and dirt. The design of the basic clamping rings represents a flexible application system: the fourth ring is detachable for welding in narrow spaces. In addition, the basic clamping rings of manually operated basic machines can be fully detached from the base frame to facilitate welding in tight spaces and overhead.



### PLANER

The electric planer ensures proper chip removal to the outside. The planer includes a safety switch and lever for alignment in the basic machine.



### HEATING ELEMENT

Electronic temperature regulation and digital display are part of the non-stick coated heating element.



### RECEPTION BOX

The reception box is suitable for transport of planer and heating element and provides safe storage of the components.

## FIELD MACHINES

### CONTROL TECHNOLOGIES



#### HYDRAULIC CONTROL UNIT MANUAL

The manual hydraulic control allows for movement of the basic clamping rings and exact control of the welding pressure. The control unit is equipped with a pressure-regulating valve, digital pressure gauge and pressure backup. The surrounding stainless-steel frame protects the hydraulic unit.



#### DATA LOGGER SPA

The data logger SPA is an extension of the manual hydraulic control unit. The SPA stores all relevant welding parameters, indicates nominal and actual values, and signals deviations.



#### HYDRAULIC CONTROL UNIT WI-CNC® 6.0

The WI-CNC® 6.0 control unit turns welding into a program-controlled process with advanced monitoring for more process reliability. The position-measuring system ensures standardized welding. Special features, such as digital connection with mobile devices, enables innovative supervision of the weld process, easy protocol management, and remote control of the basic machine. The control unit comes fully equipped with many user-friendly functions, such as color touch display, parameter overview or entry of traceability barcodes.

### ARTICLE NUMBERS

<b>4400</b>	<b>manual</b>	<b>SPA</b>	<b>WI-CNC® 6.0</b>
	Art.No.	Art.No.	Art.No.
Machine Set	16SV44N1	16SV44S1	16SV44C1
Basic Machine	160100	160100	160100
Position-Measuring System	–	--	161190
Hydraulic Control Unit	1011230	1011230	106060021
SPA	–	9701230	–
Planer	1604220	1604220	1604220
Heating Element	H4400E	H4400S1	H4400PLC
Reception Box	EIN4400	EIN4400	EIN4400
Tool Kit	ZWR4400	ZWR4400	ZWR4400



## ARTICLE NUMBERS

<b>4600</b>	<b>manual</b>	<b>SPA</b>	<b>WI-CNC® 6.0</b>
	Art.No.	Art.No.	Art.No.
Machine Set	09SV46N1	09SV46S1	09SV44C1
Basic Machine	091100	091100	091100
Position-Measuring System	–	–	091190
Hydraulic Control Unit	1010230	1010230	106060021
SPA	–	9701230	–
Planer	0914220	0914220	0914220
Heating Element	H4600E	H4600S1	H4600PLC
Reception Box	EIN4502	EIN4502	EIN4502
Tool Kit	ZWR4600	ZWR4600	ZWR4600

<b>4900</b>	<b>manual</b>	<b>SPA</b>	<b>WI-CNC® 6.0</b>
	Art.No.	Art.No.	Art.No.
Machine Set	21SV49N1	21SV49S1	21SV49C1
Basic Machine	216000	216000	216000
Position-Measuring System	–	–	2161090
Hydraulic Control Unit	1010230	1010230	106060021
SPA	–	9701230	–
Planer	2164230	2164230	2164230
Heating Element	H4900D	H4900S2	H4900PLC
Reception Box	EIN4900	EIN4900	EIN4900
Tool Kit	ZWR4900	ZWR4900	ZWR4900

<b>4955</b>	<b>manual</b>	<b>SPA</b>	<b>WI-CNC® 6.0</b>
	Art.No.	Art.No.	Art.No.
Machine Set	21SV4955N1	21SV4955S1	21SV4955C1
Basic Machine	2181B100	2181B100	2181B100
Position-Measuring System	–	–	2181B180
Hydraulic Control Unit	1010230	1010230	106060021
SPA	–	9701230	–
Planer	2184231	2184231	2184231
Heating Element	H4911E	H4911S1	H4911PLC
Reception Box	EIN4911	EIN4911	EIN4911
Tool Kit	ZWR4955	ZWR4955	ZWR4955

## FIELD MACHINES

## ARTICLE NUMBERS

5100	manual	SPA	WI-CNC® 6.0
	Art.No.	Art.No.	Art.No.
Machine Set	07SV51N1	07SV51S1	07SV51C1
Basic Machine	071100	071100	071100
Position-Measuring System	–	–	071190
Hydraulic Control Unit	1008230	1008230	106060021
SPA	–	9701230	–
Planer	0724230	0724230	0724230
Heating Element	H5100E	H5100S1	H5100PLC
Reception Box	EIN5100	EIN5100	EIN5100
Tool Kit	ZWR5100	ZWR5100	ZWR5100
5500	manual	SPA	WI-CNC® 6.0
	Art.No.	Art.No.	Art.No.
Machine Set	39SV55N1	39SV55S1	39SV55C1
Basic Machine	390100	390100	390100
Position-Measuring System	–	–	391190
Hydraulic Control Unit	1008230	1008230	10606002316
SPA	–	9701230	–
Planer	3914400	3914400	3914400
Heating Element	H5500E	H5500S1	H5500PLC
Reception Box	EIN5500	EIN5500	EIN5500
Tool Kit	ZWR5500	ZWR5500	ZWR5500
6100	manual	SPA	WI-CNC® 6.0
	Art.No.	Art.No.	Art.No.
Machine Set	08SV61N1	08SV61S1	08SV61C1
Basic Machine	081100	081100	081100
Position-Measuring System	–	–	081190
Hydraulic Control Unit	1008230	1008230	10606002316
SPA	–	9701230	–
Planer	0824400	0824400	0824400
Heating Element	H6100E	H6100S1	H6100PLC
Reception Box	EIN6100	EIN6100	EIN6100
Tool Kit	ZWR6100	ZWR6100	ZWR6100

↗ We modify your manual components for the use with SPA or WI-CNC® 6.0.  
 For your contact to the WIDOS Team, please see rear side of the catalogue.

## TECHNICAL DATA

<b>4400</b>	Basic Machine	Hydraulic Unit manual   WI-CNC	Planer	Heating Element
Power	–	0,3   750 W	950 W	0,8 kW
Voltage	–	230 V	230 V	230 V
Total Weight	22,5 kg	24,0   44,5 kg	9,1 kg	3,6 kg

<b>4600</b>	Basic Machine	Hydraulic Unit manual   WI-CNC	Planer	Heating Element
Power	–	0,3   750 W	1150 W	1,5 kW
Voltage	–	230 V	230 V	230 V
Total Weight	37,7 kg	24,0   44,5 kg	12,8 kg	6,0 kg

<b>4900</b>	Basic Machine	Hydraulic Unit manual   WI-CNC	Planer	Heating Element
Power	–	0,3   1,5 kW	1150 W	2100 W
Voltage	–	230 V	230 V	230 V
Total Weight	52,0 kg	24,0   44,5 kg	17,5 kg	8,8 kg

<b>4955</b>	Basic Machine	Hydraulic Unit manual   WI-CNC	Planer	Heating Element
Power	–	0,3   750 W	1750 W	3000 W
Voltage	–	230 V	230 V	230 V
Total Weight	60,0 kg	24,0   44,5 kg	25,5 kg	11,0 kg

<b>5100</b>	Basic Machine	Hydraulic Unit manual   WI-CNC	Planer	Heating Element
Power	–	0,56   750 W	1750 W	3500 W
Voltage	–	230 V	230 V	230 V
Total Weight	98,5 kg	24,5   44,5 kg	36,2 kg	23,0 kg

<b>5500</b>	Basic Machine	Hydraulic Unit manual   WI-CNC	Planer	Heating Element
Power	–	0,56   1500 W	1100 W	5800 W
Voltage	–	400 V	400 V	400 V
Total Weight	119,5 kg	24,5   56,2 kg	60,0 kg	28,0 kg

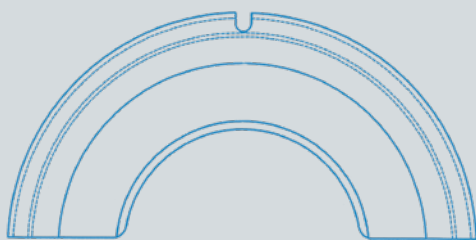
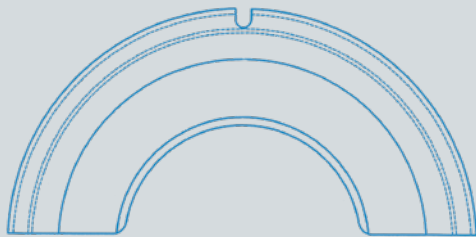
<b>6100</b>	Basic Machine	Hydraulic Unit manual   WI-CNC	Planer	Heating Element
Power	–	0,56   1500 W	1100 W	5900 W
Voltage	–	400 V	400 V	400 V
Total Weight	210,0 kg	24,5   56,2 kg	103,0 kg	36,0 kg

➤ We offer different voltage options for our machines and components.

For your contact to the WIDOS Team, please see rear side of the catalogue.

## FIELD MACHINES

## REDUCTION INSERTS



## 4400

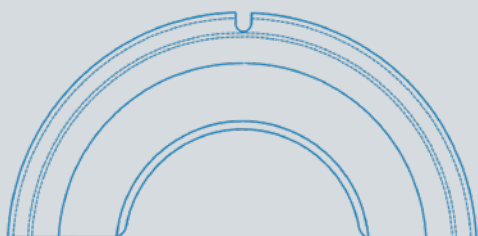
OD	Art.No.
50	16080508
63	16080638
75	16080758
90	16080908
110	16081108
125	16081258
140	16081408
OD set 50 – 140	16VS140
<b>Special diameters *</b>	
65,7 – 66,8	16080658
128 – 130,3	16081288

## 4600

OD	Art.No.
75	09080758
90	09080908
110	09081108
125	09081258
140	09081408
160	09081608
180	09081808
200	09082008
225	09082258
OD set 75 – 225	09VS225
<b>Special diameters *</b>	
77,8 – 78,3	09080778
93,0 – 93,6	09080938
113,5 – 114,2	09081138
128,8 – 129,5	09081288
144,1 – 145,0	09081448
164,8 – 165,6	09081648
185,4 – 187,0	09081858
205,4 – 207,0	09082058
230,4 – 232,0	09082308

\* Special diameters for jacket pipes, etc.

## REDUCTION INSERTS



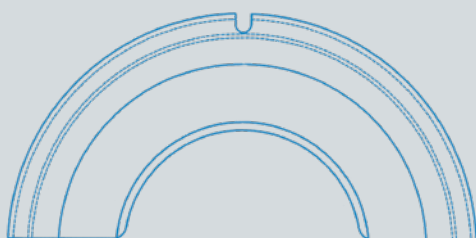
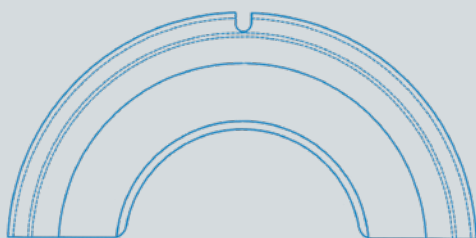
4900 | 4955

OD	Art.No.
90	38080908
110	38081108
125	38081258
140	38081408
160	38081608
180	38081808
200	38082008
225	38082258
250	38082508
280	38082808
4900: OD set 90 – 280	21VS280
<b>Adaptor OD 315</b>	2188B1003158
4955: OD set 90 – 315	4955VS315
<b>Special diameters *</b>	
<b>93,0 – 93,6</b>	38080938
<b>113,5 – 114,2</b>	38081138
<b>128,8 – 129,5</b>	38081298
<b>144,1 – 145,0</b>	38081448
<b>164,8 – 165,6</b>	38081648
<b>185,4 – 187,0</b>	38081858
<b>205,4 – 207,0</b>	38082058
<b>230,4 – 232,0</b>	38082308
<b>255,4 – 257,0</b>	38082558
<b>285,0 – 287,0</b>	38082858

\* Special diameters for jacket pipes, etc.

## FIELD MACHINES

## REDUCTION INSERTS



## 5100

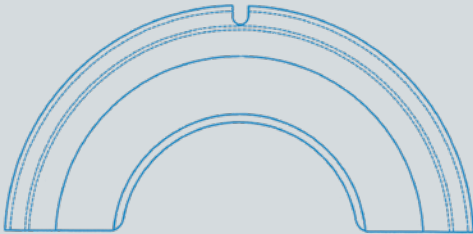
OD	Art.No.
200	38082008
225	38082258
250	38082508
280	38082808
<b>Adaptor OD 315</b>	0711428
315	07083158
355	07083558
400	07084008
<b>OD set 200 – 400</b>	07VS400
<b>Special diameters *</b>	
205,4 – 207,0	38082058
230,4 – 232,0	38082308
255,4 – 257,0	38082558
285,0 – 287,0	38082858
320,4 – 322,0	07083208

## 5500

OD	Art.No.
200	38082008
225	38082258
250	38082508
280	38082808
<b>Adaptor OD 315</b>	0711428
315	07083158
355	07083558
400	07084008
<b>Adaptor OD 450</b>	39084508
<b>OD set 200 – 450</b>	39VS450
<b>Special diameters *</b>	
205,4 – 207,0	38082058
230,4 – 232,0	38082308
255,4 – 257,0	38082558
285,0 – 287,0	38082858
320,4 – 322,0	07083208
365,2	07083658
<b>Adaptor OD 456</b>	3908456

\* Special diameters for jacket pipes, etc.

## REDUCTION INSERTS



\* Special diameters for jacket pipes, etc.

↗ We offer a multitude of reduction inserts for special diameters, inch sizes or wide versions.  
For your contact to the WIDOS Team, please see rear side of the catalogue.

6100

OD	Art.No.
315	08083158
355	08083558
400	08084008
450	08084508
500	08085008
560	08085608
OD set 315 – 560	08V5560
<b>Special diameters*</b>	
365,2	08083658
460	08084608

## OPTIONS



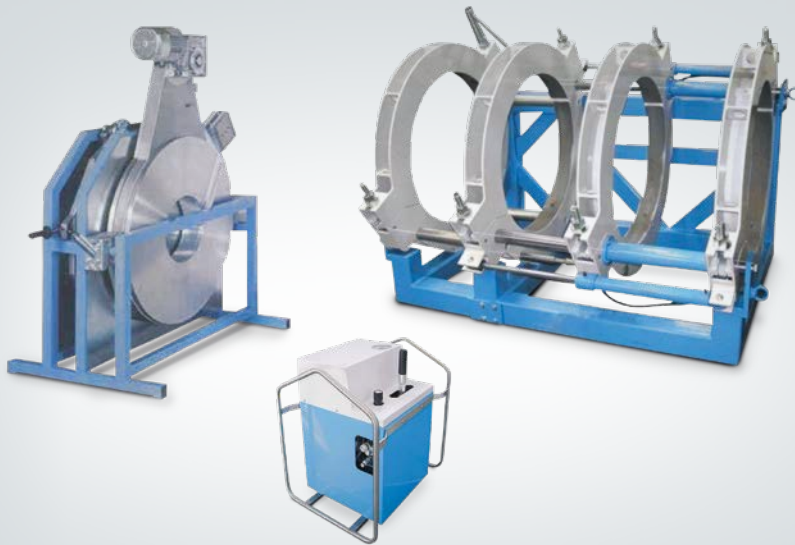
### STUB END HOLDERS

	OD	Art.No.
4400	160	161129
4600	250	091129
4900	315	2169000
4955	355	2181228
5100	450	071900
5500	500	391900
6100	630	081900

## FIELD MACHINES

## 8000 | 10000 | 12000

MANUAL | SPA



## DESCRIPTION

WIDOS field machines are designed for pipeline construction and allow for welding of large pipes up to OD 1200 on the building site. Four clamping rings ensure stable welding of long pipings. By detaching the fourth clamping ring, the machines are also suitable for welding jobs in narrow surroundings.

USE



DIAMETER OD 450 – OD 1200

MATERIAL PE, PP, other thermoplastics

## MACHINE MODELS

The machine sets of the WIDOS 4400 – 6100 series consist of basic machine, hydraulic unit, planer, heating element, reception box and tool kit. Depending on the size of the machine, components can be used in different machine sets.

8000

+ OD 450 – 800

10000

+ OD 500 – 1000

12000

+ OD 710 – 1200



## MACHINE COMPONENTS



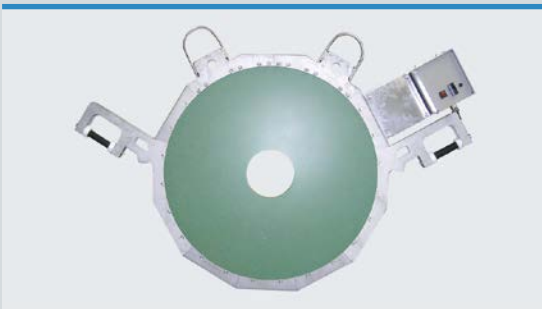
### BASIC MACHINE

The basic machine consists of base frame, four clamping rings and two hydraulic cylinders. A steel sheet protects the welding spot from dust and dirt. The design of the basic clamping rings represents a flexible application system: the fourth ring is detachable for welding in narrow spaces. In addition, the basic clamping rings of manually operated basic machines can be fully detached from the base frame to facilitate welding in tight spaces and overhead.



### PLANER

The electric planer ensures proper chip removal to the outside. The planer includes a safety switch and lever for alignment in the basic machine.



### HEATING ELEMENT

Electronic temperature regulation and digital display are part of the non-stick coated heating element.



### RECEPTION BOX

The reception box is suitable for transport of planer and heating element and provides safe storage of the components.

## FIELD MACHINES

### CONTROL TECHNOLOGIES



#### HYDRAULIC CONTROL UNIT MANUAL

The manual hydraulic control allows for movement of the basic clamping rings and exact control of the welding pressure. The control unit is equipped with a pressure-regulating valve, digital pressure gauge and pressure backup. The surrounding stainless-steel frame protects the hydraulic unit.



#### DATA LOGGER SPA

The data logger SPA is an extension of the manual hydraulic control unit. The SPA stores all relevant welding parameters, indicates nominal and actual values, and signals deviations.

## ARTICLE NUMBERS

<b>8000</b>	<b>manual</b>	<b>SPA</b>
	Art.No.	Art.No.
Machine Set	23SV80N1	23SV80S1
Basic Machine	2310200	2310200
Position-Measuring System	–	–
Hydraulic Control Unit	1060432	1060400SP
Planer	2304380	2304380
Heating Element	H8000E1	H8000S1
Reception Box	EIN8000	EIN8000
Tool Kit	ZWR8000	ZWR8000

<b>10000</b>	<b>manual</b>	<b>SPA</b>
	Art.No.	Art.No.
Machine Set	25SV10N1	on request
Basic Machine	2510100	2510100
Position-Measuring System	–	–
Hydraulic Control Unit	1060464	1060400SP
Planer	2504380	2504380
Heating Element	H10000E1	H10000S1
Reception Box	EIN10000	EIN10000
Tool Kit	ZWR10000	ZWR10000

<b>12000</b>	<b>manual</b>	<b>SPA</b>
	Art.No.	Art.No.
Machine Set	22SV12N1	on request
Basic Machine	2210100	2210100
Position-Measuring System	–	–
Hydraulic Control Unit	1060464	1060400SP
Planer	2204380	2204380
Heating Element	H12000E1	H12000S1
Reception Box	EIN12000	EIN12000
Tool Kit	ZWR12000	ZWR12000

↗ We modify your manual components for the use with SPA or WI-CNC® 6.0.  
 For your contact to the WIDOS Team, please see rear side of the catalogue.

## FIELD MACHINES

### TECHNICAL DATA

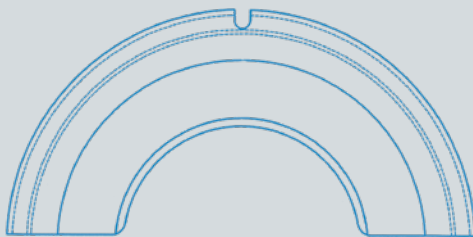
<b>8000</b>	Basic Machine	Hydraulic Unit	Planer	Heating Element
Power	-	31,0 kW	2,2 kW	15,0 kW
Voltage	-	400 V	400 V	400V
Total Weight	approx. 900 kg	approx. 90 kg	approx. 170,0 kg	approx. 95,0 kg

<b>10000</b>	Basic Machine	Hydraulic Unit	Planer	Heating Element
Power	-	31,0 kW	3,0 kW	23,0 kW
Voltage	-	400 V	400 V	400V
Total Weight	approx. 1000 kg	approx. 90 kg	approx. 300,0 kg	approx. 120,0 kg

<b>12000</b>	Basic Machine	Hydraulic Unit	Planer	Heating Element
Power	-	31,0 kW	3,0 kW	23,0 kW
Voltage	-	400 V	400 V	400V
Total Weight	approx. 1250 kg	approx. 90 kg	approx. 500,0 kg	approx. 170,0 kg

➤ We offer different voltage options for our machines and components, such as 110 V.  
For your contact to the WIDOS Team, please see rear side of the catalogue.

### REDUCTION INSERTS



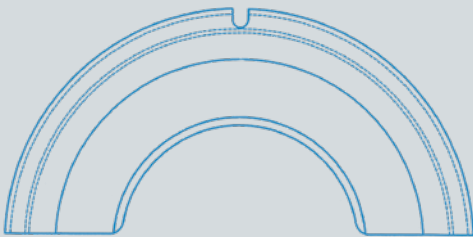
\* Special diameters for jacket pipes, etc.

#### 8000

OD	Art.No.
450	22180450
500	22180500
560	22180560
630	22180630
710	22180710
OD set 450 – 710	22VS710
<b>Special diameters*</b>	
585	22180585

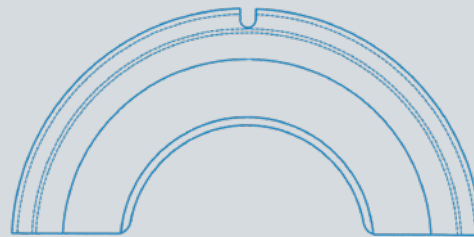
➤ We offer a multitude of reduction inserts for special diameters, inch sizes or wide versions.  
For your contact to the WIDOS Team, please see rear side of the catalogue.

## REDUCTION INSERTS



10000

OD	Art.No.
500	22180500
560	22180560
630	22180630
710	22180710
800	22180800
900	22180900
OD set 500 – 900	22VS900
<b>Special diameters*</b>	
585	22180585



12000

OD	Art.No.
710	22180710
800	22180800
900	22180900
1000	22181000
1100	22181100
OD set 710 – 1100	22VS1100

\* Special diameters for jacket pipes, etc.

## OPTIONS



HYDRAULIC UNIT OPEN



LIFTING DEVICE

Optional lifting device to easily lift pipes, planer and heating element.



STUB END HOLDERS

	8000 – 12000
<b>Art.No.</b>	1060400
<b>Power</b>	23,0 kW
<b>Voltage</b>	400V
<b>Weight</b>	approx. 51 kg

	Load capacity	Art.No.
<b>8000</b>	1,8t	230200
<b>10000</b>	1,8t	250200
<b>12000</b>	1,8t	220200

	OD	Art.No.
<b>8000</b>	800	234150
<b>10000</b>	1000	254150
<b>12000</b>	1200	2231150

## FIELD MACHINES

# 16000 | 20000 | 24000 26000 | 35000

### WELDING MACHINES FOR THE FIELD



#### DESCRIPTION

The machines WIDOS 16000 - 35000 are designed for pipeline construction and allow for welding of large pipes up to OD 3500.

➤ We are happy to assist you.  
For your contact to the WIDOS Team, please see rear side of the catalogue.

USE



DIAMETER OD 1000 – OD 3500

MATERIAL PE, PP, other thermoplastics

## MACHINE MODELS

16000

20000

24000

26000

35000

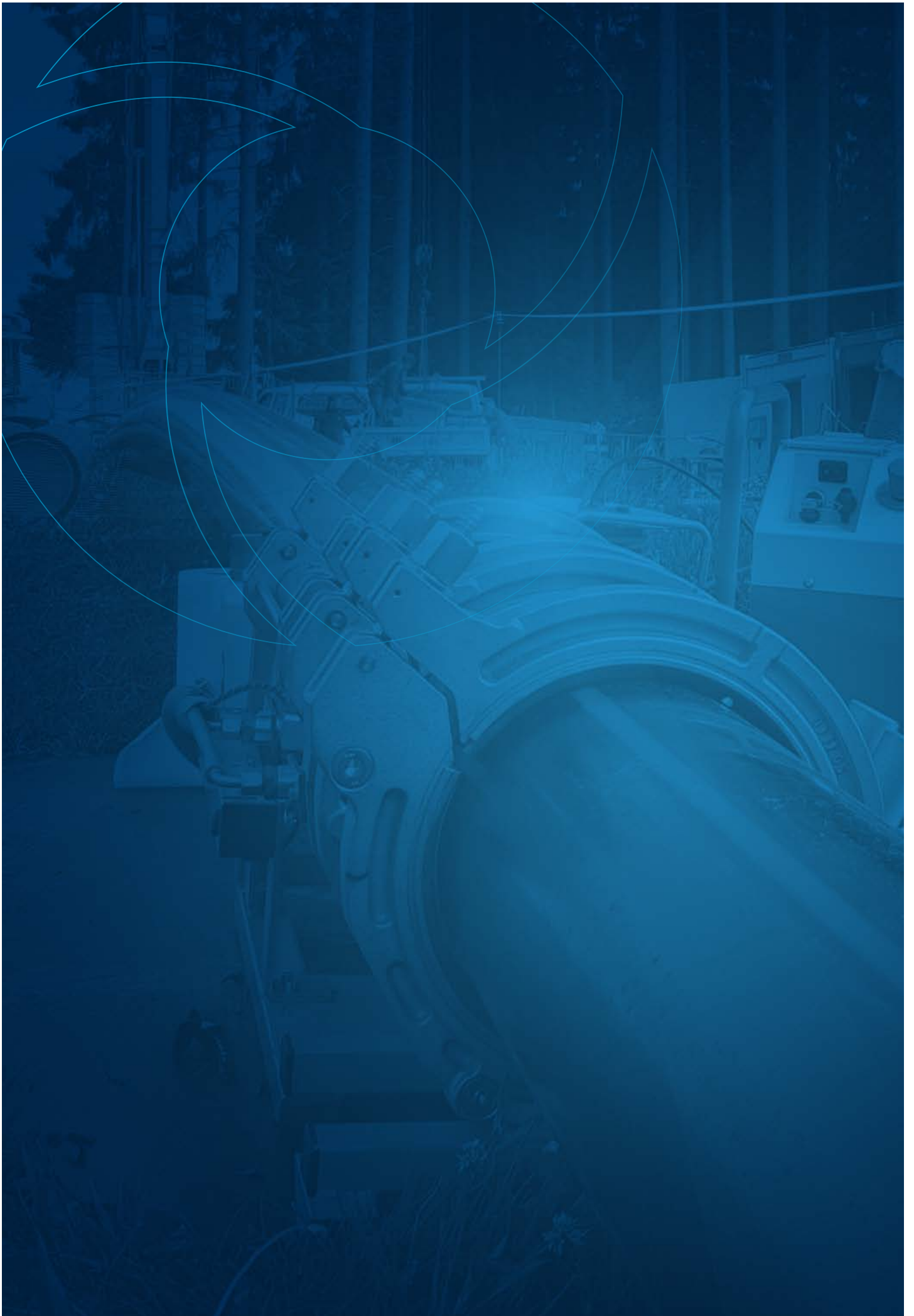
⊕ OD 1000 – 1600

⊕ OD 1200 – 2000

⊕ OD 1600 – 2400

⊕ OD 2000 – 2600

⊕ OD 2500 – 3500





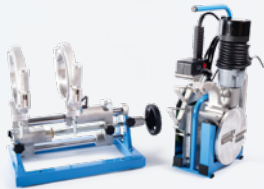




WELDING MACHINES FOR

# FAB-SHOP AND ON-SITE INSTALLATIONS

The WIDOS machines for shop pre-fabrication and on-site installations are versatile machines that can be used across a variety of applications. The easily transported machines are great for plumbing or mechanical work, for both shop fabrications and on-site work.



## MINIPLAST | MAXIPLAST

Machine models .....	<b>pg. 34</b>
Machine components – Miniplast .....	<b>pg. 35</b>
Machine components – Maxiplast .....	<b>pg. 36</b>
Article numbers .....	<b>pg. 37</b>
Technical data .....	<b>pg. 37</b>
Reduction inserts .....	<b>pg. 38</b>
Options .....	<b>pg. 39</b>



## 2500 OD 160 | 250 | 315

Machine models .....	<b>pg. 40</b>
Machine components .....	<b>pg. 41</b>
Article numbers .....	<b>pg. 42</b>
Technical data .....	<b>pg. 42</b>
Reduction inserts .....	<b>pg. 43</b>
Options .....	<b>pg. 44</b>



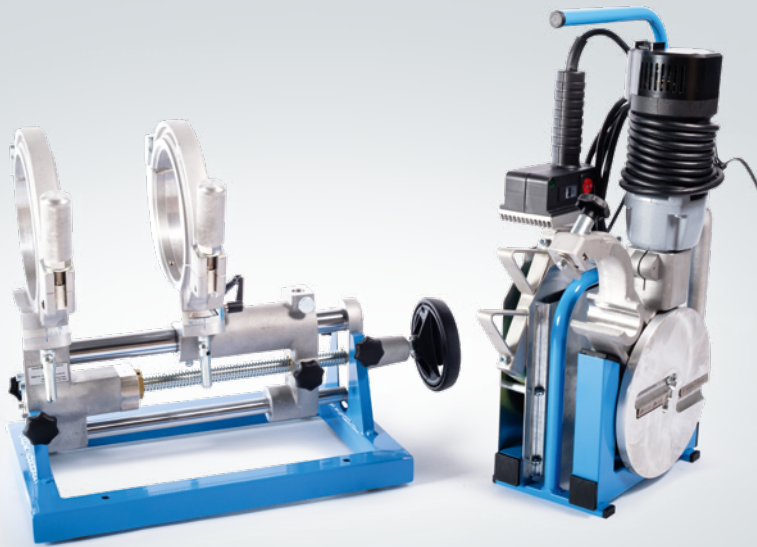
## 35XX | 3511 | JIG

Machine models .....	<b>pg. 46</b>
Machine components 35XX   3511 .....	<b>pg. 47</b>
Article numbers .....	<b>pg. 48</b>
Technical data .....	<b>pg. 49</b>
Prismatic clamping tools .....	<b>pg. 49</b>
Heating spigots and sockets .....	<b>pg. 50</b>
Options .....	<b>pg. 51</b>

## MACHINES FOR FAB-SHOP AND ON-SITE INSTALLATIONS

# MINIPLAST | T-PIECE MAXIPLAST

## WELDING MACHINES FOR FAB-SHOP AND ON-SITE INSTALLATIONS



### DESCRIPTION

The WIDOS Miniplast and Maxiplast series are mobile butt-welding machines for use in the fab-shop and on-site installations. The Miniplast T-piece model allows for welding of 90° elbows, in addition to straight pipes. The versatile machines also provide the optimal basis for welding jobs meeting specific customer needs.

### USE



**DIAMETER**      **MINIPLAST** OD 20 – OD 110  
**MAXIPLAST** OD 50 – OD 160

**MATERIAL** PE, PP, PVDF, other thermoplastics

## MACHINE MODELS

The Miniplast and Maxiplast machines are equipped with electronic heating elements. The planer for the Miniplast models is operated manually, an electric planer is optionally available. The planer for the Maxiplast operates electrically. The scope of delivery also includes a table fixture to facilitate working on the workbench as well as a tool kit. Different model variations are available:

### MINIPLAST

⊕ OD 20 – 110

### MINIPLAST T-PIECE

⊕ OD 20 – 110  
(Elbows > 90°)

### MAXIPLAST

⊕ OD 50 – 160

## MACHINE COMPONENTS – MINIPLAST



### BASIC MACHINE

The basic machine consists of two wide basic clamping tools OD 110. For fabricating segmented bends, the basic clamping tools can be swivelled by 15° on each side. The Miniplast T-piece model is also suitable for the fabrication of T-pieces 90°.



### TABLE FIXTURE

The table fixture is a holding device for stationary use and allows fixing the machine onto the work-bench.



### HEATING ELEMENT

The heating element is non-stick coated and includes electronic temperature regulation and control lamps.



### PLANER

A mechanical planer with ratchet drive or an electrical planer are available. The cutting blades are wear-proof and can be reversed for extended use.

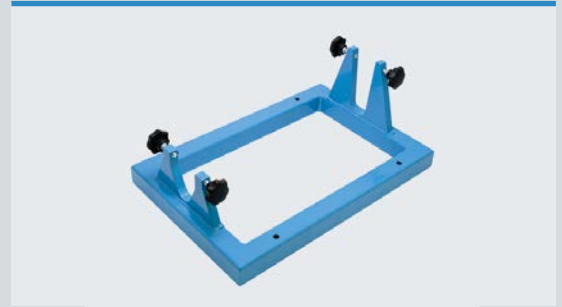
## MACHINES FOR FAB-SHOP AND ON-SITE INSTALLATIONS

### MACHINE COMPONENTS – MAXIPLAST



#### BASIC CLAMPING TOOLS

The basic machine consists of two wide basic clamping tools OD 160. For fabricating segmented bends, the basic clamping tools can be swivelled by 15° on each side.



#### TABLE FIXTURE

The table fixture is a holding device for stationary use and allows fixing the machine onto the work-bench.



#### PLANER

Electric planer with wear-proof and reusable cutting blades.



#### HEATING ELEMENT

The heating is of high-quality non-stick coating and includes electronic temperature regulation.

## ARTICLE NUMBERS

	<b>Miniplast</b>	<b>Miniplast T</b>	<b>Maxiplast</b>
	Art.No.	Art.No.	Art.No.
Machine Set, mechanical	45SVMINI	45SVMITI	–
Machine Set, electric	45SVMINE1	45SVMITE1	45SVMAX
Basic Machine	450100	451100	454100
Table Fixture	450101	451101	454101
Planer, mechanical	4504220	4514220	–
Planer, electric	4504230	4524230	4544230
Heating Element	HMINIE	HMINIET	HMAXI
Tool Kit	ZWRMINI	ZWRMINI	ZWRMAX

➤ We offer different voltage options for our machines and components, such as 110 V.  
 For your contact to the WIDOS Team, please see rear side of the catalogue.

## TECHNICAL DATA

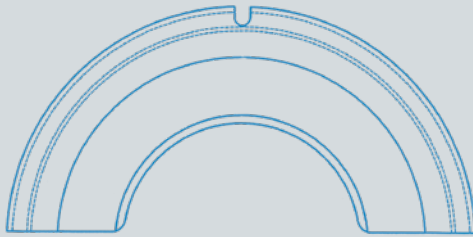
<b>Miniplast</b> <b>Miniplast T-piece</b>	Basic Machine	Planer, mechanical	Planer, electric	Heating Element
Power	–	–	550 W	500 W
Voltage	–	–	230 V	230 V
Total Weight	6,3 kg	2,1 kg	5,7 kg	2,5 kg

<b>Maxiplast</b>	Basic Machine	Planer	Heating Element
Power	–	950 W	800 W
Voltage	–	230 V	230 V
Total Weight	13,3 kg	9,1 kg	3,9 kg

## MACHINES FOR FAB-SHOP AND ON-SITE INSTALLATIONS

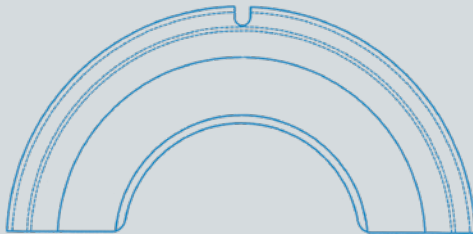
### REDUCTION INSERTS, SMALL VERSION

#### MINIPLAST | T-PIECE



OD	Art.No.
20	20080208
25	20080258
32	20080328
40	20080408
50	20080508
56	20080568
63	20080638
75	20080758
90	20080908

#### MAXIPLAST including Pipe Supports



OD	Art.No.
50	16080504 *
56	16080564 *
63	16080634 *
75	16080754 *
90	16080904 *
110	16081104 *
125	16081254 *
140	16081404 *
Single Pipe Supports	
160	4506160
168	4506168

➤ We offer a multitude of reduction inserts for special diameters, inch sizes or wide versions. For your contact to the WIDOS Team, please see rear side of the catalogue.

## OPTIONS



### FITTING CLAMPING TOOLS

Small fitting clamping tools for injected fittings with short clamping surface.

	OD	Art.No.	
		left	right
<b>Miniplast</b>	110	<a href="#">452711L</a>	452712R
<b>Maxiplast</b>	160	<a href="#">4547160L</a>	4547160R



### STUB END HOLDERS

	OD	Art.No.
<b>Miniplast</b>	110	<a href="#">451710</a>
<b>Maxiplast</b>	160	<a href="#">161129</a>

## MACHINES FOR FAB-SHOP AND ON-SITE INSTALLATIONS

# 2500

 OD 160 | 250 | 315


### DESCRIPTION

The WIDOS 2500 machine series are versatile butt-welding machines for use in the workshop and on-site. The machines are especially suited for shop pre-fabrications and on-site use from OD 50 – 315. In addition, they are an optimal basis for customized fabrications.

➤ Available options allow for welding of pipes from OD 20.

USE



DIAMETER OD 50 – OD 315, optional OD 20

MATERIAL PE, PP, PVDF, other thermoplastics

## MACHINE MODELS

The WIDOS 2500 machines are equipped with electric planer and heating element. The transport box provides safe storage and serves as machine base. The machines of the 2500 series are available in three different models including tool kit:

### 2500 – 160

- ⊕ OD 50 – 160
- ⊕ Optional OD 20

### 2500 – 250

- ⊕ OD 50 – 250
- ⊕ Optional OD 20

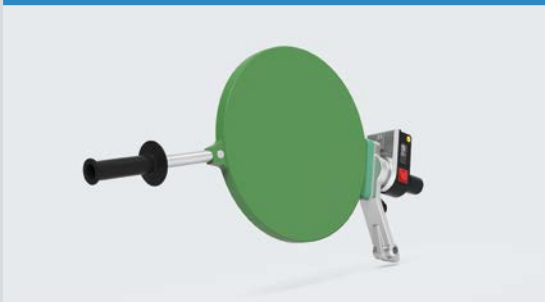
### 2500 – 315

- ⊕ OD 50 – 315
- ⊕ Optional OD 20

➤ Please visit [www.widos.de](http://www.widos.de) for the maximum weldable SDR levels for each machine model.



## MACHINE COMPONENTS



### HEATING ELEMENT

The heating element is non-stick coated and includes electronic temperature regulation and control lamps. The attachment to the basic machine makes it easy to swing the heating element in and out.



### PLANER

Electric planer with mechanical locking device. The cutting blades are wear-proof and can be reused.



### BASIC CLAMPING TOOLS

The basic clamping tools are divided into two parts, rotatable by 15° on each side, and allow for fabricating segmented bends.



### PRISMATIC PIPE SUPPORTS

Adjustable tool to hold the welding pieces after clamping.

## MACHINES FOR FAB-SHOP AND ON-SITE INSTALLATIONS

### ARTICLE NUMBERS

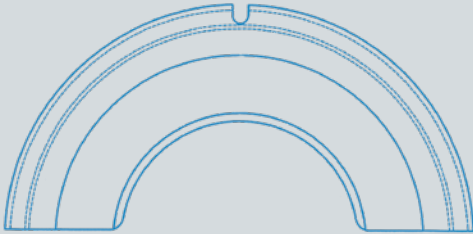
	<b>2500 – 160</b>	<b>2500 – 250</b>	<b>2500 – 315</b>
	Art.No.	Art.No.	Art.No.
<b>Machine Set</b>	<b>38SV11N1</b>	<b>38SV21N1</b>	<b>38SV01N1</b>
Basic Machine	3811230	3821230	3801220
Basic Clamping Tool	S0127160	380732KP	S38315KP
Planer	38142301	38242301	3804220
Heating Element	H0900E	H0250E	H2500E
Prismatic Pipe Supports (50 – 160)	3817160	3817160	3817160
Prismatic Pipe Supports (180 – 315)	–	3807315	3807315
Tool Kit	ZWR2500160	ZWR2500250	ZWR2500315

### TECHNICAL DATA

<b>2500 – 160</b>	Heating Element	Planer
Power	0,8 kW	0,95 kW
Voltage	230 V	230 V
Total Weight	107 kg	
<b>2500 – 250</b>	Heating Element	Planer
Power	1,5 kW	1,05 kW
Voltage	230 V	230 V
Total Weight	142 kg	
<b>2500 – 315</b>	Heating Element	Planer
Power	2,1 kW	1,05 kW
Voltage	230 V	230 V
Total Weight	174 kg	

➤ We offer different voltage options for our machines and components.  
For your contact to the WIDOS Team, please see rear side of the catalogue.

## REDUCTION INSERTS



	<b>2500 – 160</b>	<b>2500 – 250</b>	<b>2500 – 315</b>
<b>OD</b>	Art.No.	Art.No.	Art.No.
<b>20</b>	0128020	0908020	3808020
<b>25</b>	0128025	0908025	3808025
<b>32</b>	0128032	0908032	3808032
<b>40</b>	0128040	0908040	3808040
<b>50</b>	0128050	0908050	3808050
<b>63</b>	0128063	0908063	3808063
<b>75</b>	0128075	0908075	3808075
<b>90</b>	0128090	0908090	3808090
<b>110</b>	0128110	0908110	3808110
<b>125</b>	0128112	0908125	3808125
<b>140</b>	0128140	0908140	3808140
<b>160</b>	–	0908160	3808160
<b>180</b>	–	0908180	3808180
<b>200</b>	–	0908200	3808200
<b>225</b>	–	0908225	3808225
<b>250</b>	–	–	3808250
<b>280</b>	–	–	3808280



### INDIVIDUALIZATION

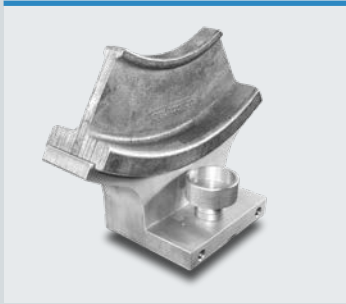
We offer a multitude of reduction inserts for special diameters, jacket pipes, inch sizes or wide versions.

For your contact to the WIDOS Team, please see rear side of the catalogue.

## MACHINES FOR FAB-SHOP AND ON-SITE INSTALLATIONS

### OPTIONS

#### COMPONENTS FOR WELDING FROM OD 20



#### PIPE BRACKETS

2500 - 160	2500 - 250	2500 - 315
Art.No.	Art.No.	Art.No.
3807372KP	380734KP	3806315KP



#### PIPE SUPPORTS

	2500 - 160	2500 - 250	2500 - 315
OD	Art.No.	Art.No.	Art.No.
20	0127020	3806020	-
25	0127025	3806025	-
32	0127032	3806032	0206032
40	0127040	3806040	0206040



#### REDUCTION INSERTS

	2500-160	2500-250	2500-315
OD	Art.No.	Art.No.	Art.No.
20	0128020	0908020	3808020
25	0128025	0908025	3808025
32	0128032	0908032	3808032
40	0128040	0908040	3808040

- We offer additional clamping tools for the 2500 – 315 model to fabricate T-45°, T-60°, T-90°, cross, and reduced fittings. For your contact to the WIDOS Team, please see rear side of the catalogue.



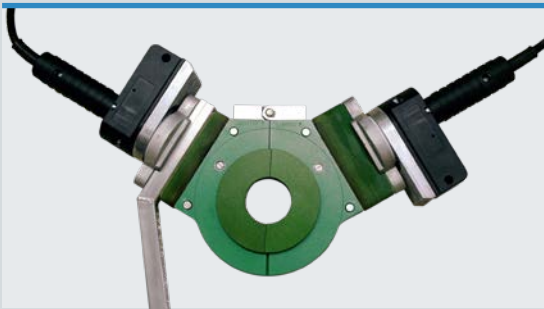
#### INDIVIDUALIZATION

We offer a large selection of special clamping tools for all 2500 machine models.

- We will be happy to assist you. Please see rear side of the catalogue for your contact to the WIDOS Team.

## ADDITIONAL OPTIONS

WIDOS OFFERS NUMEROUS ADDITIONAL COMPONENTS, FOR EXAMPLE:



SPLIT HEATING ELEMENTS  
for fitting fabrication of jacket pipes.

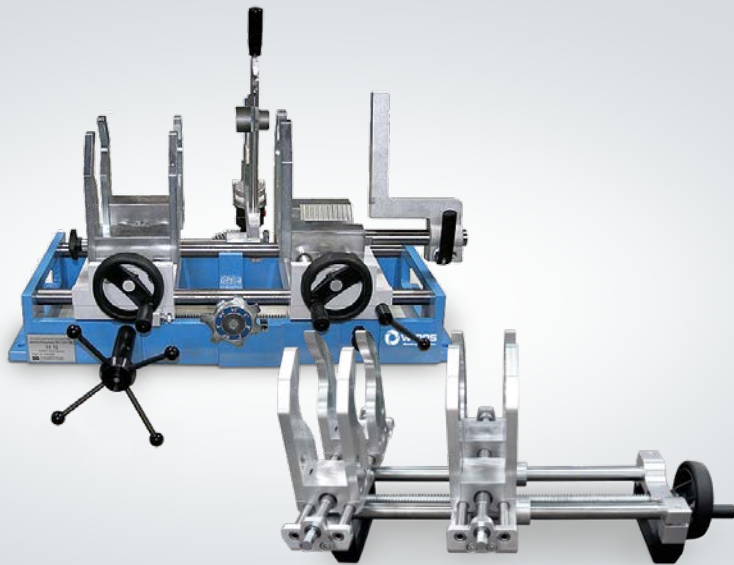
### IR HEATING ELEMENTS

➤ We will be happy to assist you.  
[Please see rear side of the catalogue for your contact to the WIDOS Team.](#)

## MACHINES FOR FAB-SHOP AND ON-SITE INSTALLATIONS

# 35XX | 3511 | JIG

## SOCKET WELDING MACHINES



### DESCRIPTION

The machines of this series are used for pre-fabrications in the workshop or on-site installations and suited for socket welding of pipes and fittings.

USE



DIAMETER OD 20 – 125

MATERIAL PE, PP, PVDF, other thermoplastics

## MACHINE MODELS

The 35XX and 3511 machines are mounted on a solid frame. The carriages are counter-rotating and operated by handwheel. The clamping prisms are available in two sizes and allow for clamping of all pipes from OD 20 to OD 125.

The JIG welding device was developed especially for installation work. It is designed for the socket welding of pipes and fittings from OD 63 to 125. A hexagonal connection for use of a cordless screwdriver enables movement of the device. Alternatively, it is possible to operate the JIG device by handwheel.

### 35XX

⊕ OD 20 – 125

### 3511

⊕ OD 20 – 125

### JIG

⊕ OD 63 – 125

## MACHINE COMPONENTS 35XX | 3511



### SOCKET HEATING ELEMENT

The swiveling heating element is equipped with electronic temperature regulation and on/off-switch.

The WIDOS 35XX heating element also includes a digital temperature display. Heating elements are available in 230 V and 110 V versions.



### PRISMATIC CLAMPING TOOLS

for different dimensions.



### ADJUSTMENT WHEEL 3511

Wheel for adjusting the depth stop according to the pipe diameter. The wheel includes a reference position for inserting the pipe pieces.

## MACHINES FOR FAB-SHOP AND ON-SITE INSTALLATIONS

### ARTICLE NUMBERS

	Art.No.
<b>35XX</b>	3752230
Basic Machine incl. Prismatic Clamping Tools	–
Heating Element	H35XXE
Tool Kit	ZWR35XX

	Art.No.
<b>3511</b>	3570350
Basic Machine incl. Prismatic Clamping Tools	3751000
Heating Element	H3511E
Tool Kit	ZWR3500
Adjustment Wheel *	
DVS type A	3751280
DVS type B	3751250

\*We offer adjustment wheels for different welding standards.

[For your contact to the WIDOS Team, please see rear side of the catalogue.](#)

	Art.No.
<b>JIG</b>	3757200KP
Basic Machine incl. Prismatic Clamping Tools	3757200
Accessory Kit incl. Stop Plate for Prismatic Clamping Tool Angle Bracket for Fitting	3757101



## TECHNICAL DATA

		<b>35XX</b>	<b>3511</b>	<b>JIG</b>
Power	Heating Element	1,8 kW	1,0 kW	-
Voltage	Heating Element	230 V	230 V	-
Total Weight		44,0 kg	44,0 kg	9,9 kg

## PRISMATIC CLAMPING TOOLS



Pipe

Fitting

### 35XX

OD	Pipe	Fitting
20 – 50	3757216KP	3757119
	3757215KP	
	3757015	
	3757016	
50 – 125	3757214KP	3757117
	3757213KP	
	3757013	
	3757014	

### 3511

OD	Pipe	Fitting
20 – 50	3757115s	3757119
50 – 125	3757113S	3757117

## MACHINES FOR FAB-SHOP AND ON-SITE INSTALLATIONS

### HEATING SPIGOTS AND SOCKETS



#### DVS TYPE A NON-STICK COATED

OD	Art.No.	OD	Art.No.
20	<a href="#">HD020PS</a>	63	<a href="#">HD063PS</a>
25	<a href="#">HD025PS</a>	75	<a href="#">HD075PS</a>
32	<a href="#">HD032PS</a>	90	<a href="#">HD090PS</a>
40	<a href="#">HD040PS</a>	110	<a href="#">HD110PS</a>
50	<a href="#">HD050PS</a>	125	<a href="#">HD125PS</a>

#### DVS TYPE B NON-STICK COATED

OD	Art.No.	OD	Art.No.
16	<a href="#">HD016SC</a>	63	<a href="#">HD063SC</a>
20	<a href="#">HD020SC</a>	75	<a href="#">HD075SC</a>
25	<a href="#">HD025SC</a>	90	<a href="#">HD090SC</a>
32	<a href="#">HD032SC</a>	110	<a href="#">HD110SC</a>
40	<a href="#">HD040SC</a>	125	<a href="#">HD125SC</a>
50	<a href="#">HD050SC</a>		

## OPTIONS



35XX

	Art.No.
Handwheel	<a href="#">3751160</a>
Transport and Installation Case	<a href="#">TK35XX</a>



3511

	Art.No.
Angle Bracket	<a href="#">3751004</a>
Transport and Installation Case	<a href="#">TK3500</a>

JIG

	Art.No.
Handwheel	<a href="#">3757102</a>
Base Frame	<a href="#">6181C550</a>





WELDING MACHINES FOR

# FITTING FABRICATION

The solid WIDOS workshop machines are reliable and allow for multiple styles of fitting fabrications. Additionally, WIDOS offers customized solutions and adapts workshop machines to meet specific customer needs.



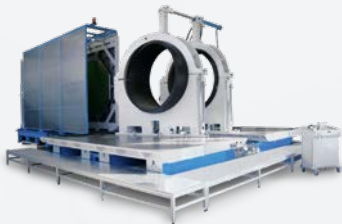
## 4001 | 4002

Machine models .....	<b>pg. 54</b>
Machine components .....	<b>pg. 55</b>
Control technologies .....	<b>pg. 56</b>
Article numbers .....	<b>pg. 57</b>
Technical data .....	<b>pg. 57</b>
Reduction inserts .....	<b>pg. 58</b>
Pipe supports .....	<b>pg. 59</b>
Special clamping tools .....	<b>pg. 60</b>
Options .....	<b>pg. 62</b>



## 5000 WM – 12000 WM

Machine models .....	<b>pg. 64</b>
Machine components .....	<b>pg. 65</b>
Control technologies .....	<b>pg. 66</b>
Article numbers .....	<b>pg. 67</b>
Technical data .....	<b>pg. 67</b>
Basic clamping tools .....	<b>pg. 68</b>
Options .....	<b>pg. 70</b>



## 16000 WM – 24000 WM

Machine models .....	<b>pg. 71</b>
----------------------	---------------

## FITTING FABRICATION

## 4001 | 4002

MANUAL | SPA | WI-SPS



## DESCRIPTION

The WIDOS 4001 and 4002 machine series are solid and reliable welding machines for pipes and fittings in the dimensions OD 90 to OD 315 and all SDR levels. The WIDOS 4002 S WI-SPS allows welding of PVC and C-PVC materials.

- The optionally available conversion kits extends the dimensional range to OD 450.

USE



DIAMETER OD 90 – OD 315, optional OD 450

MATERIAL PE, PP, PVDF, other thermoplastics  
PVC and C-PVC (4002 S WI-SPS)

## MACHINE MODELS

The machines are based on a self-supporting frame with precise linear guidings. The compact design allows for stationary and mobile use of the machine. Welding forces, guideways and speeds are manually regulated by a control lever, which includes separate pressure settings and a high-performance hydraulic system. A servo motor electrically moves the WIDOS 4002 S WI-SPS.

## 4001

- ⊕ OD 90 – 315
- ⊕ Optional OD 400

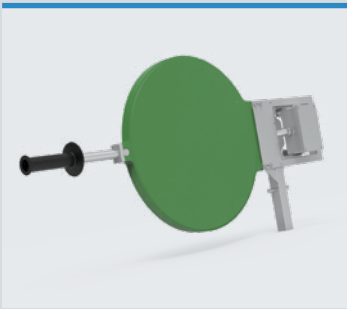
## 4002

- ⊕ OD 90 – 315
- ⊕ Optional OD 450

## 4002 S WI-SPS

- ⊕ OD 90 – 315

## MACHINE COMPONENTS



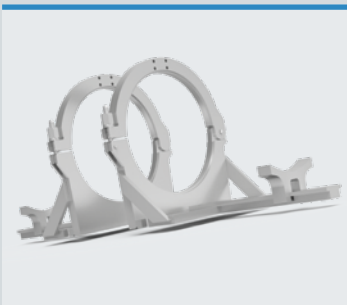
### HEATING ELEMENT

The electronic heating element is non-stick coated and can be moved easily.



### PLANER

A high torque planer in lightweight aluminium construction with solid chain drive and reversible cutting blades. The planer can easily be placed in-between the welding pieces and precisely locks into position.

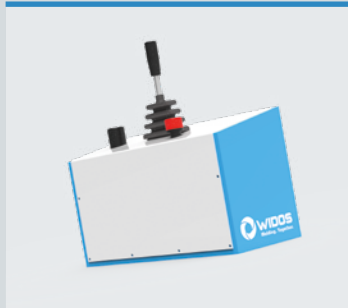


### BASIC CLAMPING TOOLS

The solid clamping tools swivel up to 15° on both sides for fabricating segmented bends. To compensate for offset, one side can slide axially.

## FITTING FABRICATION

### CONTROL TECHNOLOGIES



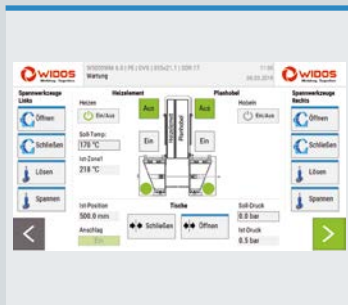
#### HYDRAULIC CONTROL UNIT MANUAL (only 4001 | 4002)

The manual hydraulic control allows for movement of the basic clamping rings and exact control of the welding pressure. Welding forces, guideways and speeds are manually regulated by a control lever, which includes separate pressure settings and a high-performance hydraulic system.



#### DATA LOGGER SPA

The data logger SPA is an extension of the manual hydraulic control unit. The SPA stores all relevant welding parameters, indicates nominal and actual values, and signals deviations.



#### CONTROL UNIT WI-SPS 6.0 (only 4002 S WI-SPS)

The WI-SPS 6.0 control unit turns welding into a program-controlled process with advanced monitoring for more process reliability. The position-measuring system ensures standardized welding. Special features, such as digital connection with mobile devices, enables innovative supervision of the weld process, easy protocol management, and remote control of the basic machine. The control unit comes fully equipped with many user-friendly functions, such as color touch display, parameter overview or entry of traceability barcodes.



## ARTICLE NUMBERS

	<b>4001</b>	<b>4002</b>	<b>4002 S WI-SPS</b>
<b>Standard Version</b>	Art.No.	Art.No.	Art.No.
Basic Machine incl. Planer	0241230	0231220	1730230
Base Frame Steel Pipe	024101	024101	–
Heating Element	H4002E	H4002E	H4002C1
Protective Frame	–	–	172536
Control Unit WI-SPS 6.0	–	–	on request
Tool Kit	ZWR4001	ZWR4002	ZWR4002

## TECHNICAL DATA

<b>4001 manual</b>	Heating Element	Planer	Hydraulic Pump
Power	3,6 kW	1,05 kW	0,3 kW
Voltage	230 V	230 V	230 V
Total Weight	269,0 kg		

<b>4002 manual</b>	Heating Element	Planer	Hydraulic Pump
Power	3,6 kW	1,15 kW	0,3 kW
Voltage	230 V	230 V	230 V
Total Weight	293,0 kg		

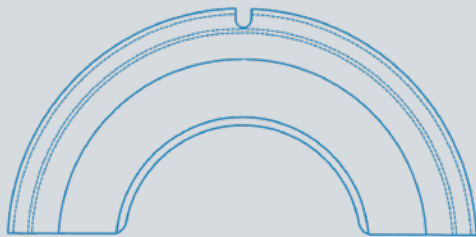
<b>4002 S WI-SPS</b>	Heating Element	Planer	Servo Drive
Power	3,5 kW	0,37 kW	2,9 kW
Voltage	230 V	400 V	400 V
Total Weight	325,0 kg		

<b>4002 with Conversion Kit</b>	Heating Element	Planer	Hydraulic Pump
Power	5,4 kW	1,4 kW	0,3 kW
Voltage	400 V	230 V	230 V
Total Weight	355,0 kg		

↗ We offer different voltage options for our 4001 | 4002 machines and components.  
 For your contact to the WIDOS Team, please see rear side of the catalogue.

## FITTING FABRICATION

## REDUCTION INSERTS SMALL VERSION



OD	Art.No.
90	0208090
110	0208110
125	0208125
140	0208140
160	0208160
180	0208180
200	0208200
225	0208225
250	0208250
280	0208280
315*	0208315
<b>Adaptor OD 315</b>	070725
355	0708355
400	0708400

➤ We offer a multitude of reduction inserts for special diameters, inch sizes or wide versions. For your contact to the WIDOS Team, please see rear side of the catalogue.

## PIPE SUPPORTS SMALL VERSION



OD	Art.No.
90	0206090
110	0206110
125	0206125
140	0206140
160	0206160
180	0206180
200	0206200
225	0206225
250	0206250
280	0206280
315	0406315
355	0406355
400	0406400

## PIPE BRACKETS

OD	Art.No.
315	023711
450	040711

## FITTING FABRICATION

SPECIAL CLAMPING TOOLS  
FOR FITTING FABRICATION

T-PIECE 90°

---

**T-Piece 90°**

Art.No.

[0237T250SET](#)

---



T-PIECE 45°/60°

---

**T-Piece 45°/60°**

Art.No.

[0237Y250SET](#)

---



CROSS PIECE

---

**Cross Piece**  
(addition to T-Piece 90°)

Art.No.

[0237K250SET](#)

---

## REDUCTION INSERTS FOR SPECIAL CLAMPING TOOLS

### REDUCTION INSERTS T-90°

OD	Art.No.	OD	Art.No.
90	0238T090KP	180	0238T180KP
110	0238T110KP	200	0238T200KP
125	0238T125KP	225	0238T225KP
140	0238T140KP		
160	0238T160KP		

### REDUCTION INSERTS T-45°/60°

OD	Art.No.	OD	Art.No.
90	0238Y090KP	180	0238Y180KP
110	0238Y110KP	200	0238Y200KP
125	0238Y125KP	225	0238Y225KP
140	0238Y140KP		
160	0238Y160KP		

### REDUCTION INSERTS CROSS PIECE (addition to T-90°)

OD	Art.No.	OD	Art.No.
90	0238K090KP	180	0238K180KP
110	0238K110KP	200	0238K200KP
125	0238K125KP	225	0238K225KP
140	0238K140KP		
160	0238K160KP		

## FITTING FABRICATION

## OPTIONS

## 4001 | 4002 CONVERSION KITS

The conversion kits extend the dimensional range of the machines to OD 450.



	<b>4001</b>	<b>4002</b>
<b>Conversion Kit</b>	Art.No.	Art.No.
Basic Machine without Planer	02410230	02310220
Base Frame	024101	incl.
Conversion Kit	S04450KP	S04450KP
Planer	0434220	0434220
Heating Element	H4002U	H4002U

## OPTIONS



ADDITIONAL WORKING CYLINDER



ANGLE BRACKET  
for short pipe ends and fittings.



DEVICE FOR ONE-SIDED PLANING



SPLIT HEATING ELEMENTS

	Art.No.
Additional Working Cylinder	043713
Angle Bracket	023712KP
Device for One-Sided Planing	023427KP
Split Heating Elements	on request
Stub End Holder	2161028

## FITTING FABRICATION

# 5000 WM | 7000 WM 8000 WM | 12000 WM T

MANUAL | SPA | SPS



## DESCRIPTION

The WIDOS workshop machines for pipes up to OD 1200 ensure the easy fabrication of high-quality fittings. The basic machines are an excellent basis for customized solutions. Special clamping tools allow for welding of special components such as corrugated pipes, insulating pipes and non-standard pipes.

USE



DIAMETER OD 160 – 1200

MATERIAL PE, PP, other thermoplastics

## MACHINE MODELS

The machines of the WIDOS 5000 WM – 12000 WM series are equipped with planer and heating element. Various fittings, such as elbows, T-90°, T-45°, T-60° and cross pieces can be fabricated in various diameters.

	5000 WM	7000 WM	8000 WM	12000 WM T
<b>Elbows 0 – 90°</b>	+ OD 160 – 500	+ OD 200 – 630 (optional OD 800)	+ OD 400 – 800 (optional OD 1200)	+ OD 630 – 1200
<b>T-Piece 90°</b>	+ OD 160 – 500	+ OD 315 – 630	+ OD 400 – 800	+ OD 630 – 1200
<b>T-Piece 45°/60°</b>	+ OD 160 – 500	+ OD 315 – 630	+ OD 400 – 800	+ OD 630 – 1200
<b>Cross Piece</b>	+ OD 160 – 500	+ OD 315 – 630	+ OD 400 – 800	+ OD 630 – 1200



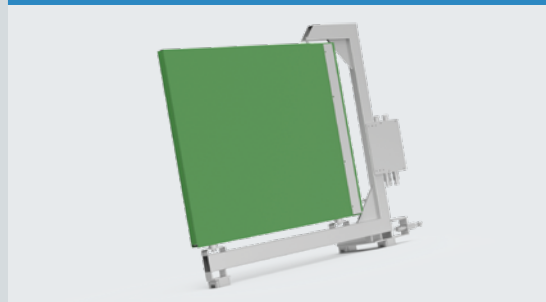
## MACHINE COMPONENTS



### BASIC MACHINE

The basic machine consists of two flexible machine tables floating on linear guidings and hydraulically operated. A pneumatic drive moves the heating element and planer in-between the clamping tools and backwards. All machines come equipped with a cross adjustment for horizontal offset compensation. The low construction height facilitates loading and unloading of the welding pieces.

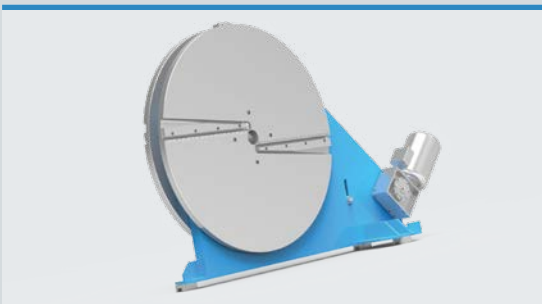
- A height adjustment for vertical offset compensation is optionally available.
- Depending on the model, the machine can be equipped with servo drive.



### HEATING ELEMENT

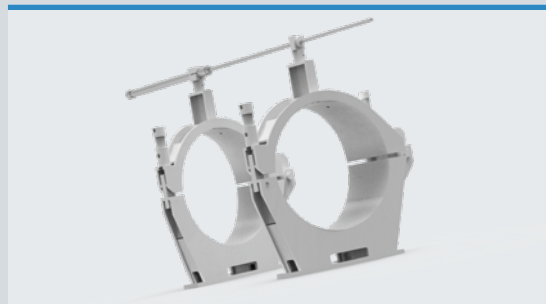
The heating element features a high-quality non-stick coating and digital temperature control. Different heating zones ensure optimal heat distribution. Depending on the model, the heating zones can be regulated individually. The heating element is driven in-between the machine tables on linear guidings in electric or pneumatic mode, depending on the model.

- Optionally, the heating element can be covered with a PTFE plastic film.



### PLANER

The planer is firmly fixed to the basic machine and features two lines of cutting blades on each side, equipped with hardened blades. A high torque motor moves the planer. Depending on the model, the planer is driven in-between the machine tables on linear guidings in electric or pneumatic mode.



### CLAMPING TOOLS

The clamping tools have a wide supporting surface and are absolutely torsion-free. Mounted on a pivot point, the clamping tools can be exactly positioned and swiveled continuously. Opening and closing of the clamping tools is done manually or hydraulically, depending on the model size. Welding pieces are manually clamped. The reduction inserts are screwed directly into the basic clamping tool.

- Optionally, welding pieces can be clamped hydraulically.

## FITTING FABRICATION

### CONTROL TECHNOLOGIES



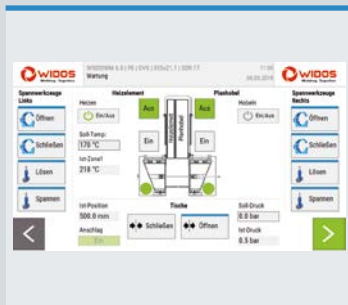
#### CONTROL UNIT MANUAL

The manual control allows for movement of the basic clamping rings and exact control of the welding pressure. An operator panel equipped with control lever, pressure relief valve, digital pressure gauge and control elements for planer and heating element allows for convenient operation of the unit.



#### DATA LOGGER SPA

The data logger SPA is an extension of the manual hydraulic control unit. The SPA stores all relevant welding parameters, indicates nominal and actual values, and signals deviations.



#### CONTROL UNIT WI-SPS 6.0

The WI-SPS 6.0 control unit turns welding into a program-controlled process with advanced monitoring for more process reliability. The position-measuring system ensures standardized welding. Special features, such as digital connection with mobile devices, enables innovative supervision of the weld process, easy protocol management, and remote control of the basic machine. The control unit comes fully equipped with many user-friendly functions, such as color touch display, parameter overview or entry of traceability barcodes.

## ARTICLE NUMBERS

	5000 WM	7000 WM	8000 WM	12000 WM T
<b>Basic Machine</b>	Art.No.	Art.No.	Art.No.	Art.No.
Manual incl. Planer	3570350	1470700	1470G700	1480380T
Heating Element Manual	H3575320	H1475720	H1475G700	HW12002ET
SPA incl. Planer	3570350SP	1470700SP	1470G700SP	1480380TSP
Heating Element SPA	H3575320S1	H1475720S1	H1475G700SP	HW12002TS1
WI-SPS incl. Planer	on request	on request	on request	on request
Heating Element WI-SPS	on request	on request	on request	on request

## TECHNICAL DATA

5000 WM	Hydraulic Unit	Planer	Heating Element
Power   SPS	1,8   1,5 kW	1,5 kW	8,0 kW
Voltage	400 V	400 V	400 V
Total Weight	approx. 900 kg (depending on equipment)		

7000 WM	Hydraulic Unit	Planer	Heating Element
Power	3,0 kW	2,2 kW	21,6 kW
Voltage	400 V	400 V	400 V
Total Weight	approx. 3.200 kg (depending on equipment)		

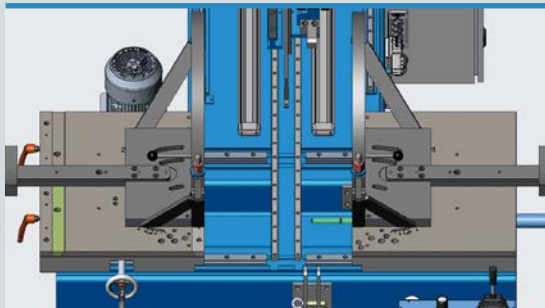
8000 WM	Hydraulic Unit	Planer	Heating Element
Power   SPS	3,6 kW	2,5   2,2 kW	34,4 kW
Voltage	400 V	400 V	400 V
Total Weight	approx. 5.000 kg (depending on equipment)		

12000 WM T	Hydraulic Unit	Planer	Heating Element
Power	3,0 kW	4,0 kW	39,9 kW
Voltage	400 V	400 V	400 V
Total Weight	approx. 7.000 kg (depending on equipment)		

## FITTING FABRICATION

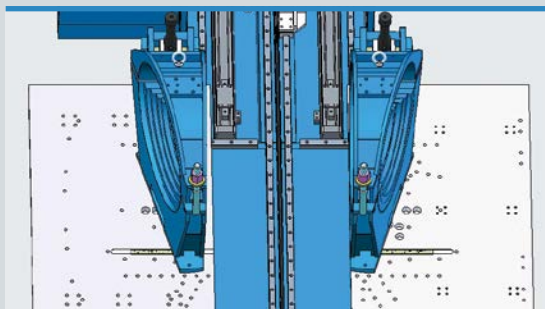
### BASIC CLAMPING TOOLS

Basic clamping tools are available in narrow, 15° or 22.5° versions. The 15° and 22.5° basic clamping tools also allow for welding of straight pipe pieces by interchanging the clamping tools from the right-hand and left-hand side.



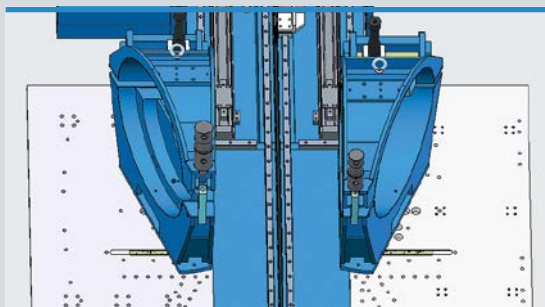
#### BASIC CLAMPING TOOL NARROW

	OD	Art.No.
<b>5000 WM</b>	500	<a href="#">S35500KP</a>
<b>7000 WM</b>	630	<a href="#">S14630</a>
	800 (optional)	<a href="#">S14800</a>



#### BASIC CLAMPING TOOL 15°

	OD	Art.No.
<b>5000 WM</b>	500	<a href="#">3557500KP</a>
<b>7000 WM</b>	630	<a href="#">1477560</a>
	800 (optional)	<a href="#">1477580</a>
<b>8000 WM</b>	1200	<a href="#">on request</a>
<b>12000 WM T</b>	1200	<a href="#">on request</a>



#### BASIC CLAMPING TOOL 22,5°

	OD	Art.No.
<b>5000 WM</b>	500	<a href="#">3557501KP</a>
<b>7000 WM</b>	630	<a href="#">1477570</a>
	800 (optional)	<a href="#">1477590</a>
<b>8000 WM</b>	1200	<a href="#">on request</a>
<b>12000 WM T</b>	1200	<a href="#">on request</a>

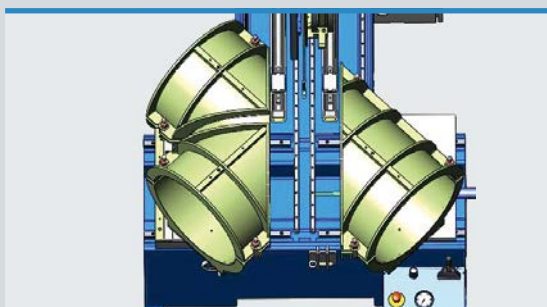
### REDUCTION INSERTS

We offer reduction inserts for all clamping tools.

For your contact to the WIDOS Team, please see rear side of the catalogue.

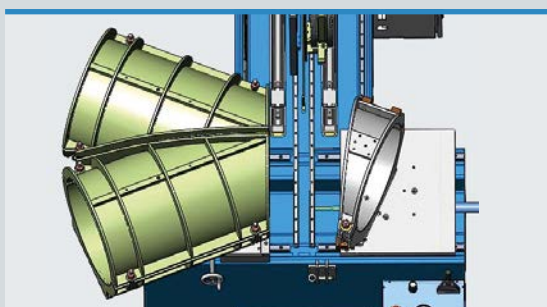
## CLAMPING TOOLS FOR FITTING FABRICATION

The clamping tools are extremely stable. Screwable centring bolts and a built-in angle scale allow for quick and easy setting of all angles from 0° to 22.5°.



### T-PIECE 90°

	OD	Art.No.
<b>5000 WM</b>	500	<a href="#">3578T500SET</a>
<b>7000 WM</b>	630	<a href="#">1478T630SET</a>
<b>8000 WM</b>	800	<a href="#">on request</a>
<b>12000 WM T</b>	1200	<a href="#">on request</a>



### T-PIECE 45°/60°

	OD	Art.No.
<b>5000 WM</b>	500	<a href="#">3577Y500SET</a>
<b>7000 WM</b>	630	<a href="#">1477Y630SET</a>
<b>8000 WM</b>	800	<a href="#">on request</a>
<b>12000 WM T</b>	1200	<a href="#">on request</a>



### CROSS PIECE

(addition to T-90°)

	OD	Art.No.
<b>5000 WM</b>	500	<a href="#">3577K500SET</a>
<b>7000 WM</b>	630	<a href="#">1478K630SET</a>
<b>8000 WM</b>	800	<a href="#">on request</a>

WIDOS offers a wide variety of clamping tools for fabrication of diverse angles and fittings in all dimensions. Clamping tools can also be adapted individually to meet special requirements. The vast variety of clamping tools available exceeds the options stated above. We specialize in customized solutions. Contact us for your individual welding needs.

For your contact to the WIDOS Team, please see rear side of the catalogue.

## FITTING FABRICATION

### OPTIONS



#### STUB END HOLDERS SPINDLE VERSION

	OD	Art.No.
<b>5000 WM</b>	500	<a href="#">391900</a>
<b>7000 WM</b>	630 800 (optional)	<a href="#">081900</a> <a href="#">on request</a>
<b>8000 WM</b>	1200	<a href="#">2231150</a>
<b>12000 WM T</b>	1200	<a href="#">2231150</a>



#### DEVICE FOR ONE-SIDED PLANING

	Art.No.
<b>5000 WM</b>	<a href="#">3574329</a>
<b>7000 WM</b>	<a href="#">1474719</a>
<b>8000 WM</b>	<a href="#">1474G719</a>
<b>12000 WM T</b>	<a href="#">1484650</a>

### ADDITIONAL OPTIONS

WIDOS offers a wide range of additional options:

- ⊕ Hydraulic cylinders for clamping of welding pieces
- ⊕ Hydraulic cylinders for opening and closing of clamping tools
- ⊕ Reduction inserts for pre-insulating pipes
- ⊕ Special heating elements

WIDOS specializes in customized solutions. Contact us for your individual welding needs.

For your contact to the WIDOS Team, please see rear side of the catalogue.

## FITTING FABRICATION

# 16000 WM | 20000 WM 24000 WM

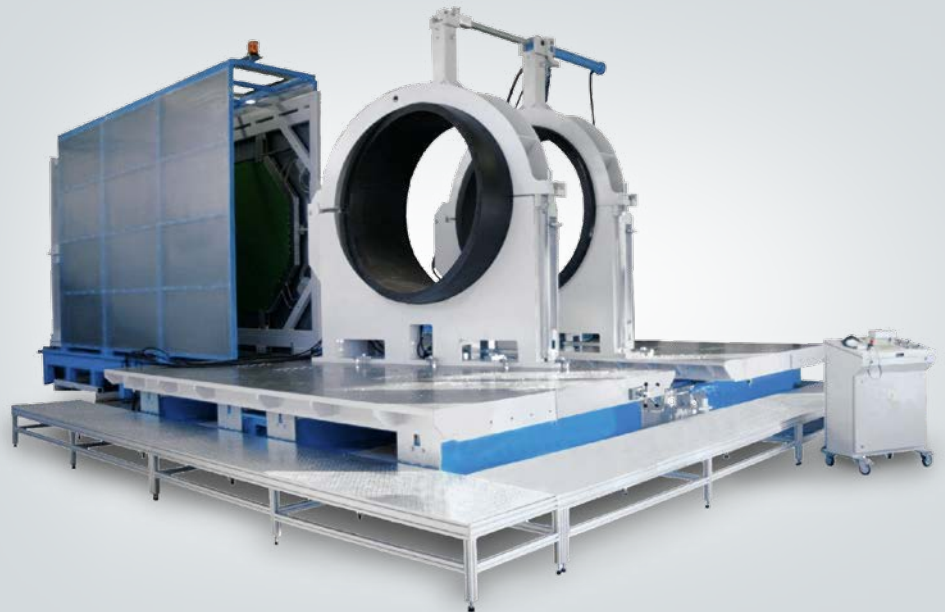
## WELDING MACHINES FOR FITTING FABRICATION

### DESCRIPTION

The WIDOS machines 16000 WM to 24000 WM ensure the convenient fabrication of high-quality fittings for pipes up to OD 2400. The basic machines are an excellent basis for individualized solutions. Special clamping tools allow for welding of special components such as corrugated pipes, insulating pipes and non-standard pipes.

➤ WIDOS specializes in large dimensions and customized solutions. Contact us for your individual welding needs.

For your contact to the WIDOS Team, please see rear side of the catalogue.



USE



DIAMETER OD 800 – OD 2400

MATERIAL PE, PP, other thermoplastics

## MACHINE MODELS

16000 WM

⊕ OD 800 – 1600

20000 WM

⊕ OD 1000 – 2000

24000 WM

⊕ OD 1600 – 2400





# SAWS & ACCESSORIES

The laser-guided sawing machines are perfect for the precise cutting of plastic pipes. WIDOS advanced cutting technology means time and cost savings with precise ends after cutting. The wide range of tools and accessories allows for optimal treatment of pipes before and after the weld.



## Saws

Circular Saw 500 .....	<b>pg. 74</b>
Motorized Manual Saw Type 1 + Type 35 .....	<b>pg. 74</b>
Sawing Machine RS 315 – RS 1600 .....	<b>pg. 77</b>



## Original Accessories

Bead Removers, Cutters, Roller Stands .....	<b>pg. 80</b>
---	---------------

SAWS

# CIRCULAR SAW 500 MOTORIZED MANUAL SAW

TYPE 1 + TYPE 35



Circular Saw 500

Motorized Manual Saw

## DESCRIPTION

The WIDOS Circular Saw 500 and Motorized Manual Saws are easily transported and suitable for mobile use. The Circular Saw 500 allows for rectangular cuts of plastic pipes from OD 180 to OD 500. The Motorized Manual Saws with chain guide allow for rectangular cuts of plastic pipes from OD 500 to OD 3500.

USE



## MACHINE MODELS

The WIDOS Motorized Manual Saw Type 1 is suitable for cutting pipes with wall thicknesses up to 60 mm, the Motorized Manual Saw Type 35 is suitable for cutting pipes with wall thicknesses up to 110 mm.

CIRCULAR SAW  
500

+ OD 180 – 500

MOTORIZED MANUAL SAW  
TYPE 1

+ OD 500 – 3500

TYPE 35

+ OD 500 – 3500

## MACHINE COMPONENTS



### CIRCULAR SAW 500

The Circular Saw 500 consists of saw and transport case.



### MOTORISED MANUAL SAW TYPE 1 | TYPE 35

The Motorized Manual Saws consist of saw and tension chain. The tension chain is placed around the pipe and fixed with the chain tightener. Moving the saw around the pipe enables a fast and neat cut. The chain tightener is suitable for all diameters.



## ARTICLE NUMBERS

	<b>Circular Saw 500</b> Art.No.	<b>Motorized Manual Saw Type 1</b> Art.No.	<b>Type 35</b> Art.No.
Saw with Sawblade	513030	541050	5414200
Chain Tightener	–	540115	540115
Tension Chain OD 500	–	K510500	K510500
Tension Chain OD 560	–	K510560	K510560
Tension Chain OD 630	–	K510630	K510630
Tension Chain OD 710	–	K510710	K510710
Tension Chain OD 800	–	K510800	K510800
Tension Chain OD 900	–	K510900	K510900
Tension Chain OD 1000	–	K5101000	K5101000
Tension Chain OD 1100	–	K5101100	K5101100
Tension Chain OD 1200	–	K5101200	K5101200
Tension Chain OD 1400	–	K5101400	K5101400
Tension Chain OD 1600	–	K5101600	K5101600
Sawblade	541036	541036	AM54003

➤ We offer tension chains in further dimensions up to OD 3500.

For your contact to the WIDOS Team, please see rear side of the catalogue.

## SAWS

## TECHNICAL DATA

	<b>Circular Saw 500</b>	<b>Motorized Manual Saw Type 1</b>	<b>Motorized Manual Saw Type 35</b>
Power	2,2 kW	2,2 kW	2,3 kW
Voltage	230 V	230 V	230 V
Cutting depth	60 mm	60 mm	up to 110 mm
Total Weight	23,0 kg	14,5 kg	28,0 kg

We offer different voltage options for our machines and components.  
For your contact to the WIDOS Team, please see rear side of the catalogue.

## OPTIONS



PIPE STAND

Art.No

**Pipe Stand up to OD 500**

513701



TENSION BELT

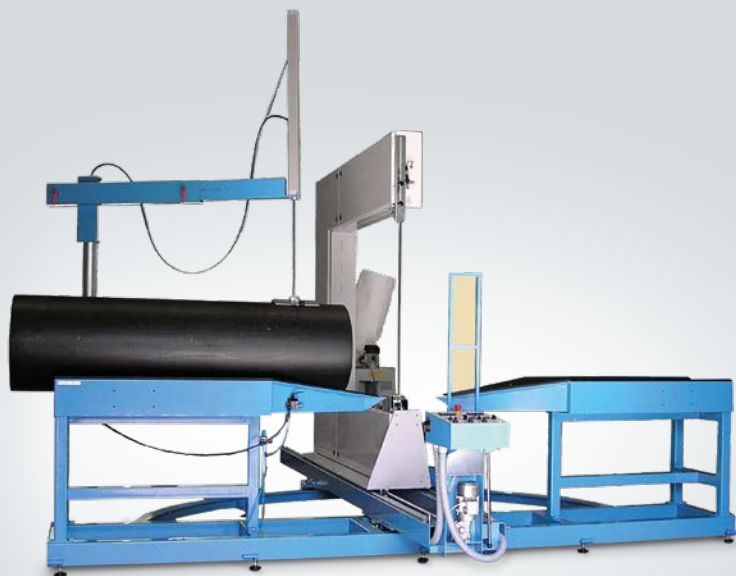
Art.No

**Tension Belt up to OD 500**

513702

# SAWING MACHINE

## RS 315 – RS 1600



### DESCRIPTION

The WIDOS RS Sawing Machines RS were developed for exact cutting of plastic pipes and fittings from OD 50 to OD 1600. The saw arm is built on a rotating device and can be swiveled continuously from  $-45^{\circ}$  to  $+67.5^{\circ}$ .

USE



### ARTICLE NUMBERS

	<b>RS 315</b>	<b>RS 630</b>	<b>RS 800</b>	<b>RS 1000</b>	<b>RS 1200</b>	<b>RS 1600</b>
	Art.No.	Art.No.	Art.No.	Art.No.	Art.No.	Art.No.
Sawing Machine	54400315	54400630	54400800	54401000	54401200	54401600
max. OD	315	630	800	1000	1200	1600

## SAWS

## TECHNICAL DATA

	RS 315	RS 630	RS 800	RS 1000	RS 1200	RS 1600
Voltage	400 V	400 V	400 V	400 V	400 V	400 V
Power	0,37 kW	1,5 kW	1,5 kW	2,7 kW	2,7 kW	2,7 kW
Total Weight	0,4 t	2,2 t	2,4 t	2,8 t	2,8 t	3,7 t

## OPTIONS



## SAW BANDS

Sawing Machine		RS 315	RS 630	RS 800	RS 1000	RS 1200	RS 1600
Type		Art.No.	Art.No.	Art.No.	Art.No.	Art.No.	Art.No.
4Z/Z	13x0,65 mm	540315	540630	540800	541000	541200	541600
6-10-ZPZ	13x0,65 mm	5403152	–	–	–	–	–
4 K SW 1,8	20x0,9 mm	–	5406301	5408001	5410001	5412001	–
4-6 ZpZ	20x0,9 mm	–	5406302	5408002	5410002	5412002	5416003
3K, SW 1,8	20x0,9 mm	–	–	–	–	–	5416001
3K	27x0,9 mm	–	–	–	–	–	5416002

## OPTIONS



### LINE LASER

	Art.No.
RS 315	993152
RS 630 – RS 1600	544001



### VACUUM DEVICE

	Art.No.
RS 315	5431105
RS 630 – RS 1600	5440105



### PNEUMATIC PIPE CLAMPING

	Art.No.
RS 315	5430204
RS 630	5440404
RS 800	5440304
RS 1000	5440204
RS 1200	5440104
RS 1600	5440604



### CIRCULAR CUTTING DEVICE

We offer circular cutting devices in various sizes.  
For your contact to the WIDOS Team, please see rear side of the catalogue.



### PIPE SUPPORT RIGHT-HAND SIDE

	Art.No.
RS 315	5431220

## WIDOS ORIGINAL ACCESSORIES

## ACCESSORIES



OUTSIDE BEAD REMOVERS  
OD 20 – 90

OD	Art.No.
20	5650020
25	5650025
32	5650032
40	5650040
50	5650050
63	5650063
75	5650075
90	5650090
Spare Blade	MES285



Size	Spare Blade
80	MES029
160	MES052
300	MES052
500	MES060

## OUTSIDE BEAD REMOVERS

The lightweight WIDOS Outside Bead Removers allow for safe and easy removal of the outer welding bead. The tools can be used for pipes OD 20 to OD 1200.

OUTSIDE BEAD REMOVERS  
OD 110 – 1200

Size	OD	Art.No.	Spare Blade
1	110 - 160	5650160	MES029
2	140 - 250	5650250	MES039
3	180 - 315	5650315	MES039
4	280 - 450	5650450	MES052
6	450 - 630	5650630	MES060
8	630 - 1000	56501000	MES071
9	900 - 1200	56501200	-
Storage Case (Size 1 – 4)		TK56160	

## INSIDE BEAD REMOVERS

The WIDOS Inside Bead Removers allow for removal of the inner welding bead and can be used for pipes ID 90 to ID 500. The tool set consists of cutting head with cutting depth limitation, spacers, guiding rods up to 12 m insertion depth, and transport case.

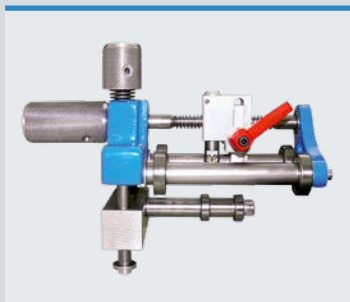
The guiding rods can be assembled in various lengths. An extension package with guiding rods for pipe lengths up to 20 m is optionally available.

Size	ID	Art.No.
80	-	-
160	90 – 160	560040
300	160 – 300	561040
500	300 – 500	564040

Extension package: guiding rods up to 20 m

160	90 – 160	5600401
300	160 – 300	5610401
500	300 – 500	564001





### PIPE PEELING TOOL

The WIDOS Pipe Peeling Tool was developed for ideal preparation of pipe ends for electro socket welding on site. The peeling blades feature two peeling surfaces, which can be reversed for extended use. The scope of delivery includes an aluminium case for safe storage.

Size	OD	Art.No.
1	32 – 125	5200110
2	110 – 500	5200500
Spare Blade		MES5X5



### PIPE CUTTERS

Size	OD	Art.No.	Spare Cutting Wheel
1	6 – 67	W550100	W550101
2	50 – 140	W550110	W550121
3	90 – 170	W550120	W550121



### PIPE CHAMFERING TOOL

Size	OD	Art.No.
1	32 – 75	W510200
2	32 – 250	W510300
3	250 – 500	W510500
Spare Blade		MES040



### PIPE SCISSORS

Size	OD	Art.No.
1	0 – 26	W550026
2	0 – 42	W550042
3	0 – 63	W550063



### DEBURRER WITH SPECIAL BLADE

	Art.No.
Deburrer with special blade	W550190
Spare Blade	W550191

## WIDOS ORIGINAL ACCESSORIES



MANUAL SCRAPER

	Art.No.
Manual Scraper	W-ZK



HIGH-LIGHTER, SILVER

	Art.No.
High-lighter, silver	W-MARKER



HOLDING DEVICES

Size	OD	Art.No.
1	20 – 40	411001
2	50 – 90	411002
3	110 – 180	411003



ROLLER STAND  
Mini | Maxi



ROLLER STAND  
height adjustable



ROLLER STAND  
Type 1 | Type 2

	max. OD	max. load	Art.No.
Roller Stand Mini	315	500 kg	320500
Roller Stand Maxi	630	750 kg	320750
Roller Stand, height adjustable	315	500 kg	320500KP
Roller Stand Type 1	630	1.000 kg	321000
Roller Stand Type 2	1200	2.000 kg	322000



PIPE-CLEANING CLOTHS

	Art.No.
Pipe-cleaning cloths	W-RRT



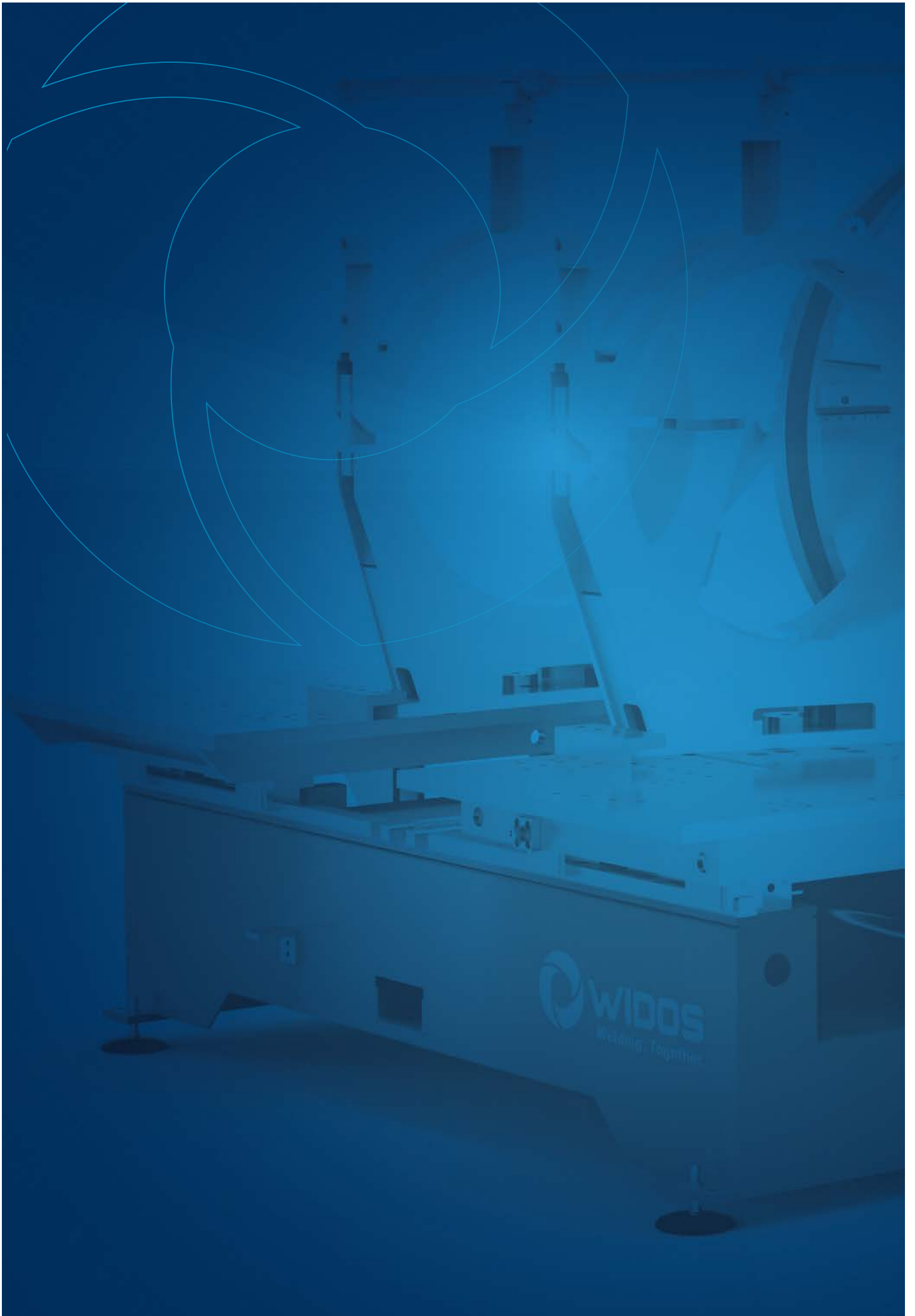
TIMER

	Art.No.
Timer	TMZ1000



TEMPERATURE  
MEASURING DEVICE

	Art.No.
Temperature measuring device	TM1100



## YOU WANT TO LEARN MORE ABOUT WIDOS WELDING MACHINES?

We will be happy to assist you.  
On the phone, through our websites, or in person.

+ +49 7152 9939 0      + info@widos.de

### **WIDOS** WILHELM DOMMER SÖHNE GMBH

Einsteinstraße 5  
71254 Ditzingen | Germany

Fon: +49 7152 9939 0  
Fax: +49 7152 9939 40

info@widos.de

[www.widos.de](http://www.widos.de)

### **WIDOS LLC**

1375 Highlands Ridge Rd. SE | Suite A  
Smyrna, GA 30082 | USA

Fon: +1 678 766 1250  
Fax: +1 678 766 1249

info@widoswelding.com

[www.widoswelding.com](http://www.widoswelding.com)

